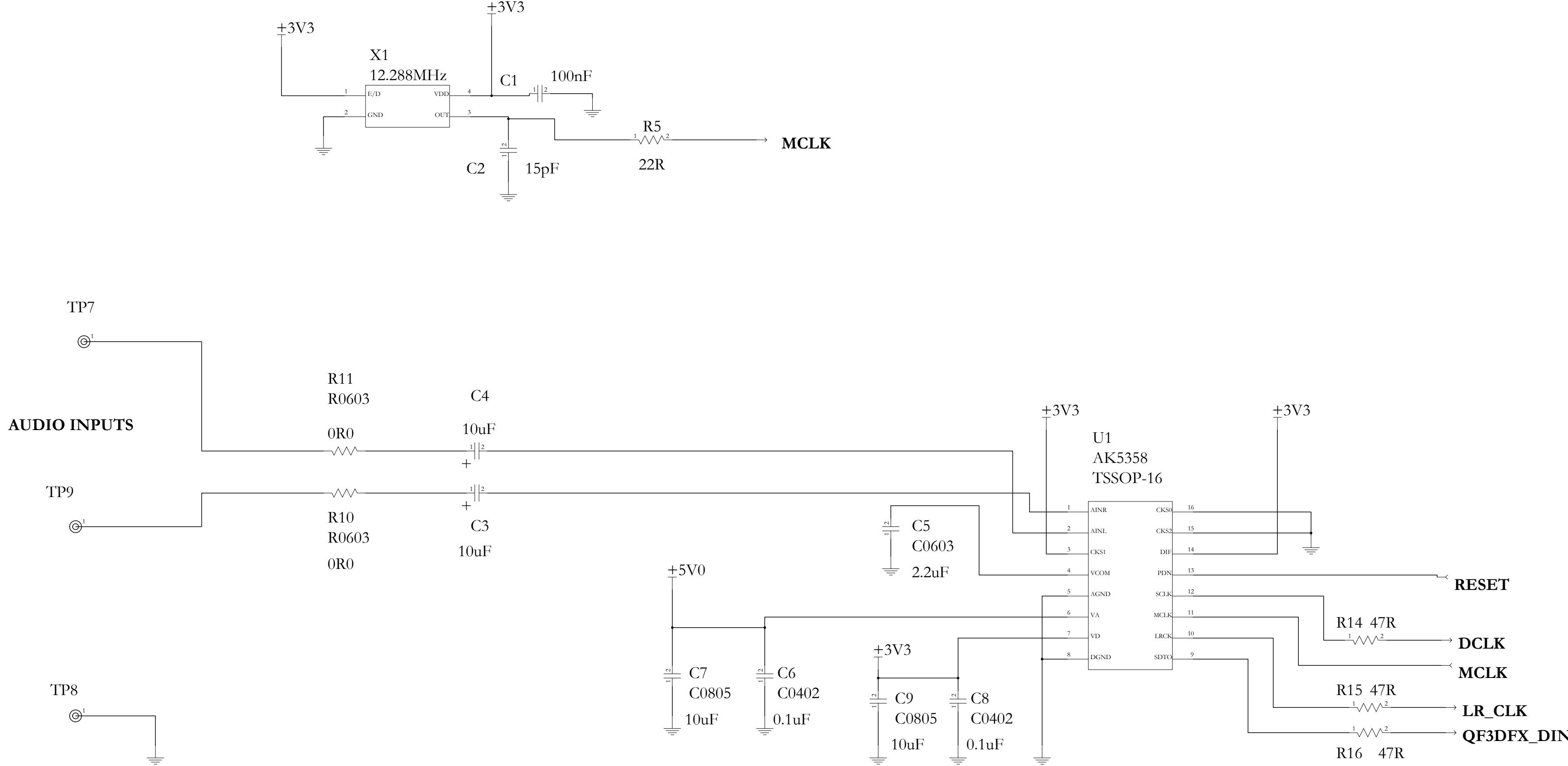
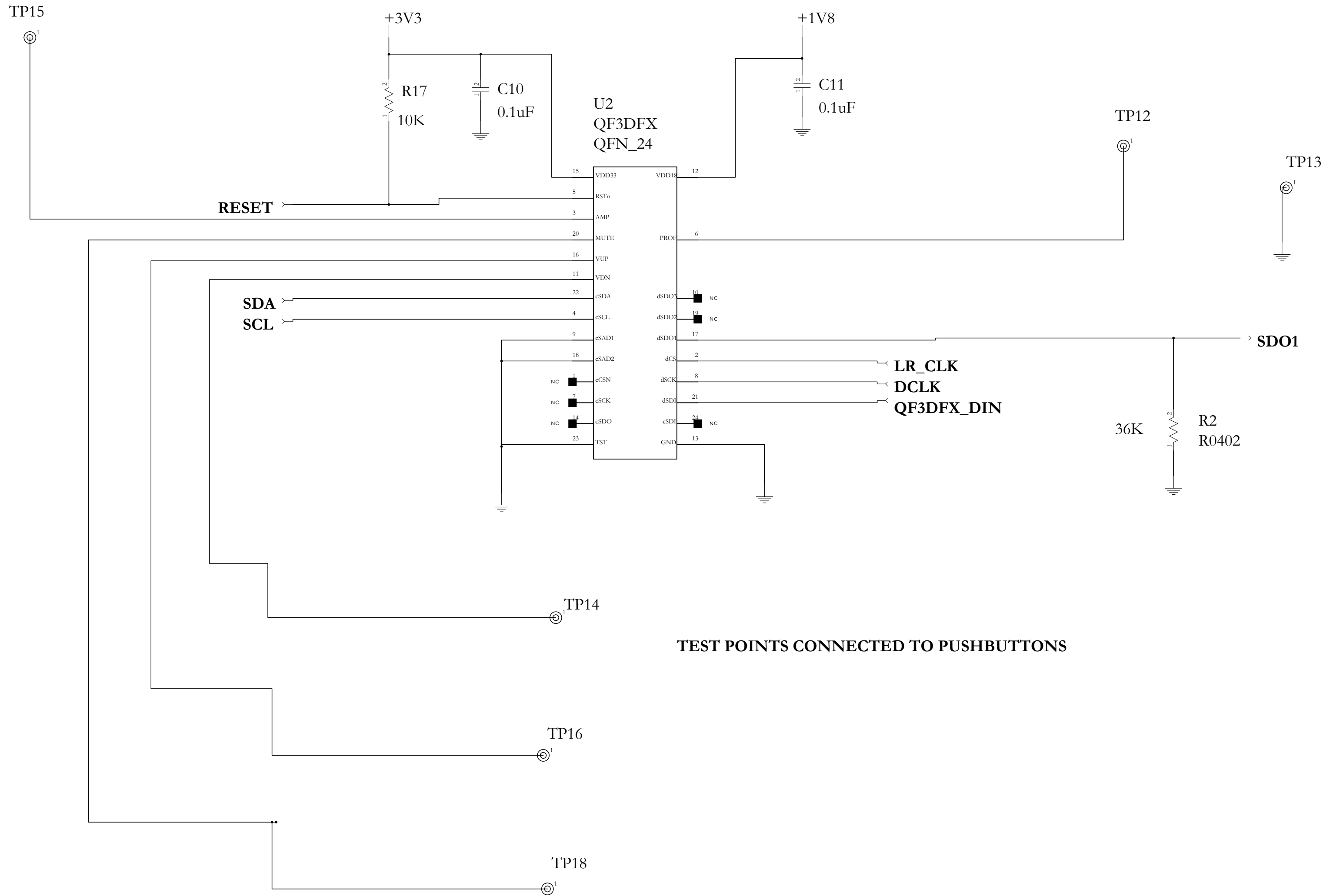


Quickfilter Technologies Soundbar Reference Design



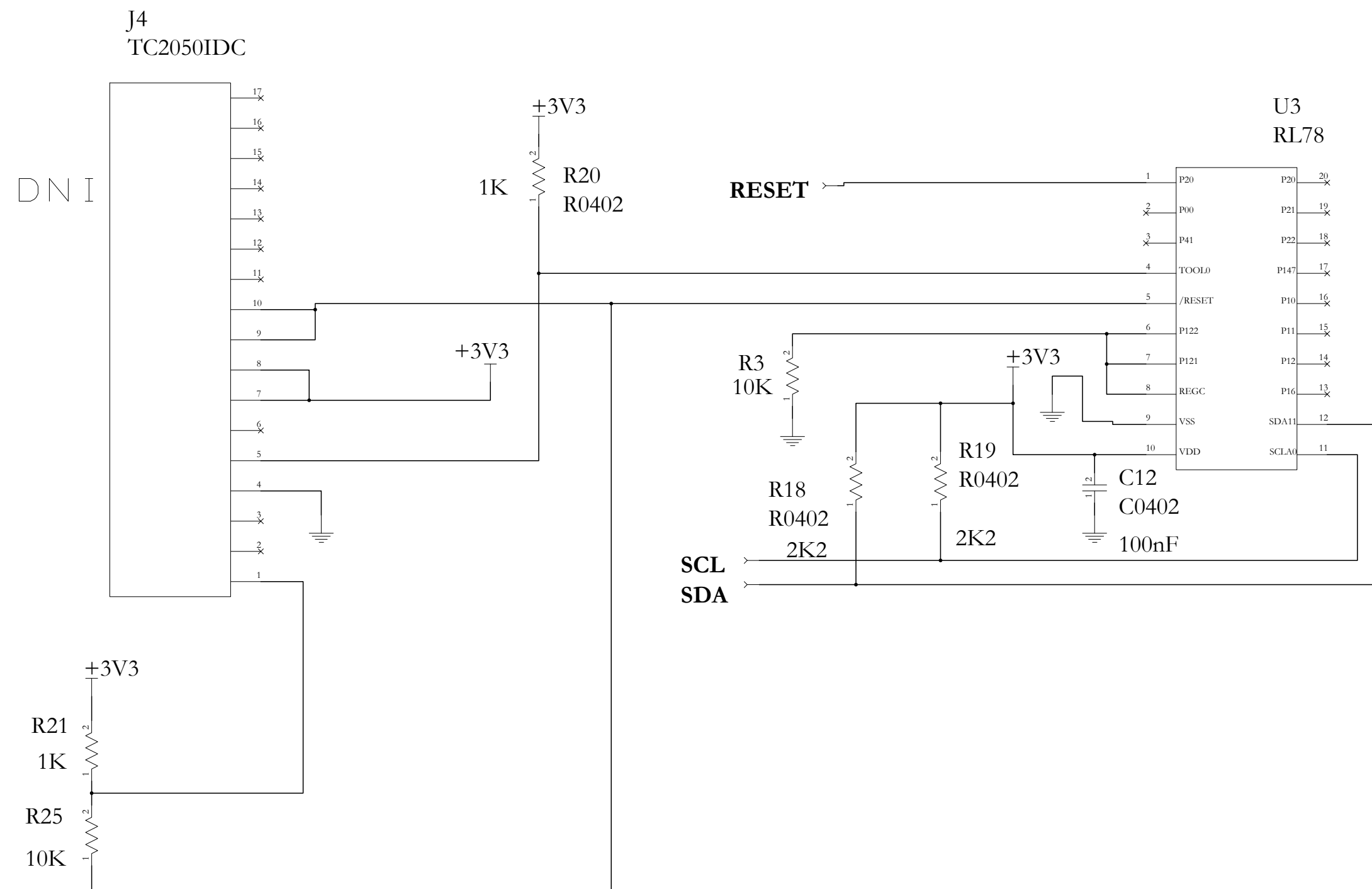
E	D	C	B	A	Drawn	Check	Projection Do Not Scale		
Drn	Drn	Drn	Drn	Project			Client		
Chk	Chk	Chk	Chk	Title			Filename	Drawing No.	Sheet of

Quickfilter Technologies Soundbar Reference Design



E	D	C	B	A	Drawn	Check	Projection Do Not Scale			
Drn	Drn	Drn	Drn	Project			Client			
Chk	Chk	Chk	Chk	Title			Filename		Drawing No.	Sheet of

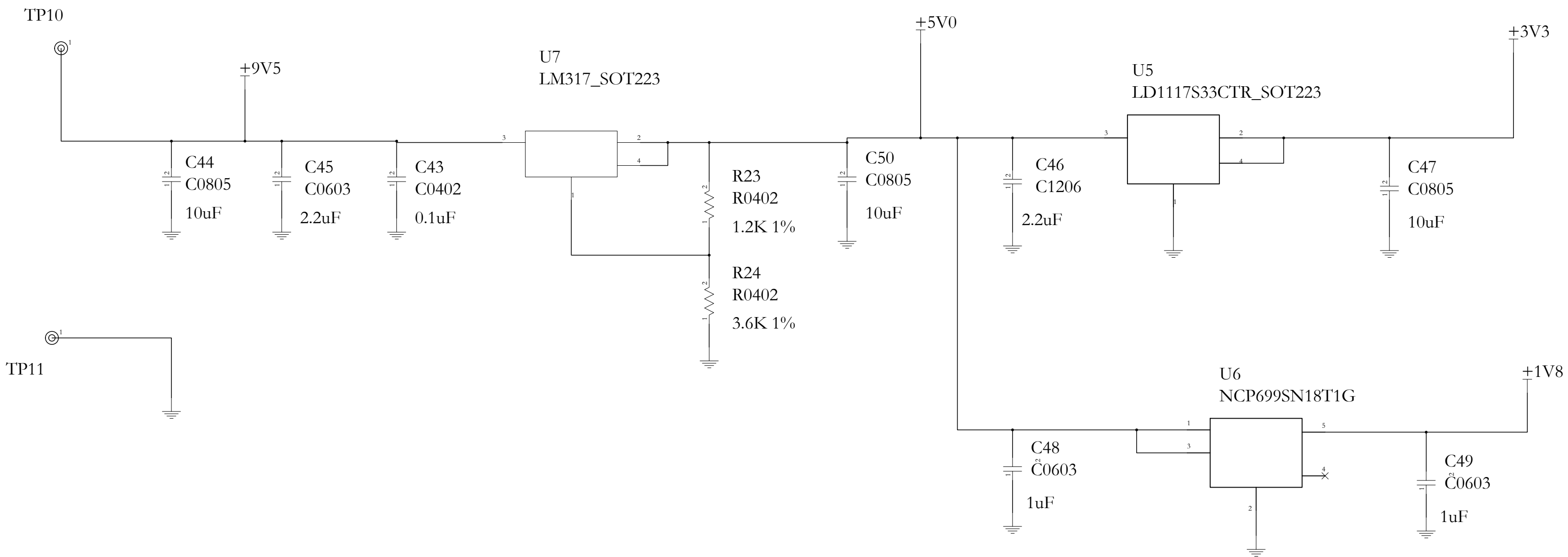
Quickfilter Technologies Soundbar Reference Design



E	D	C	B	A	Drawn	Check	Projection Do Not Scale		
Drn	Drn	Drn	Drn	Project			Client		
Chk	Chk	Chk	Chk	Title			Filename		
							Drawing No.		Sheet of

Quickfilter Technologies Soundbar Reference Design

TEST POINTS CONNECTED TO POWER JACK



E	D	C	B	A	Drawn	Check	Projection Do Not Scale		
Drn	Drn	Drn	Drn	Project			Client		
Chk	Chk	Chk	Chk	Title			Filename	Drawing No.	Sheet of

