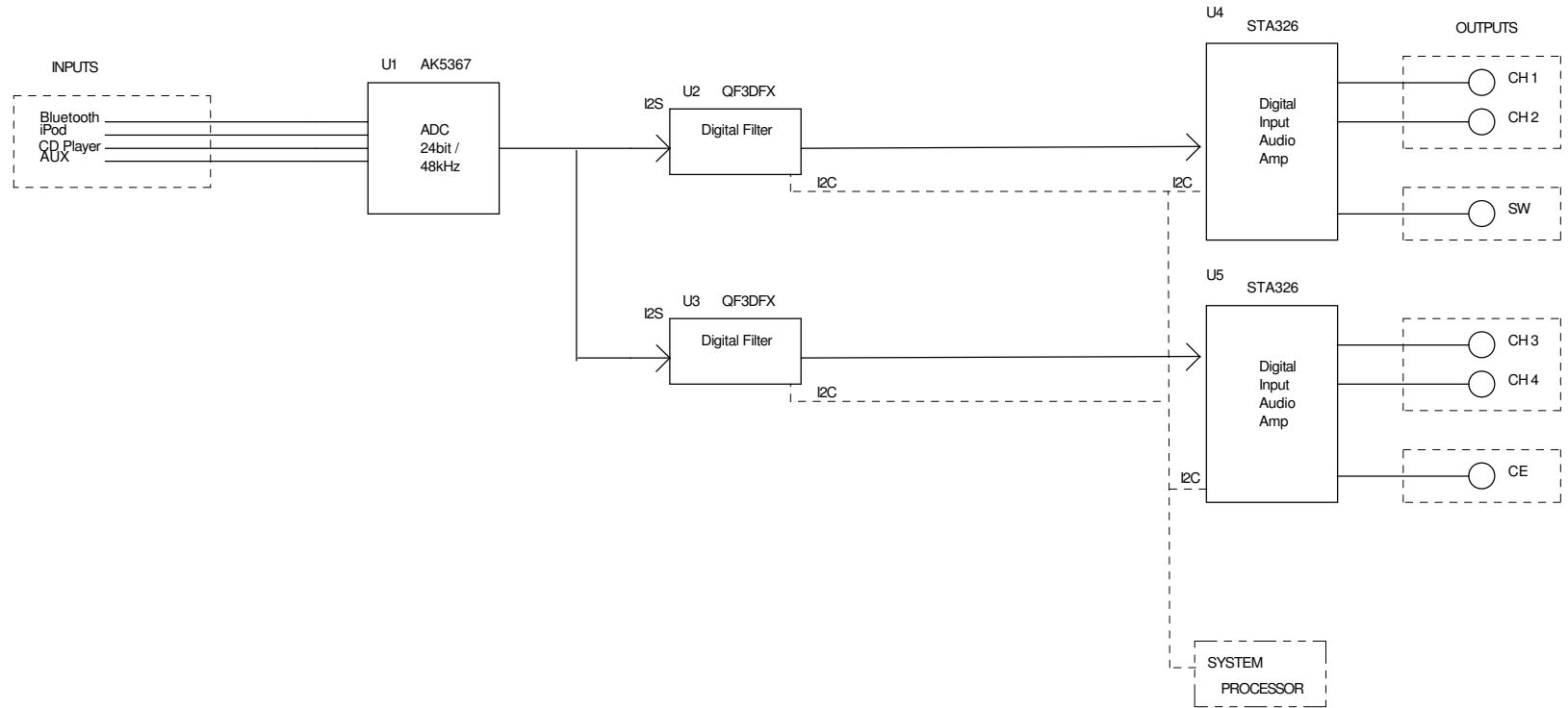


# Preliminary Quickfilter 5.1 Design

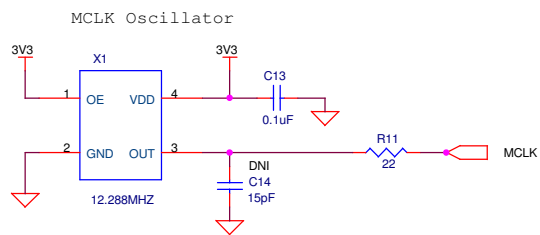
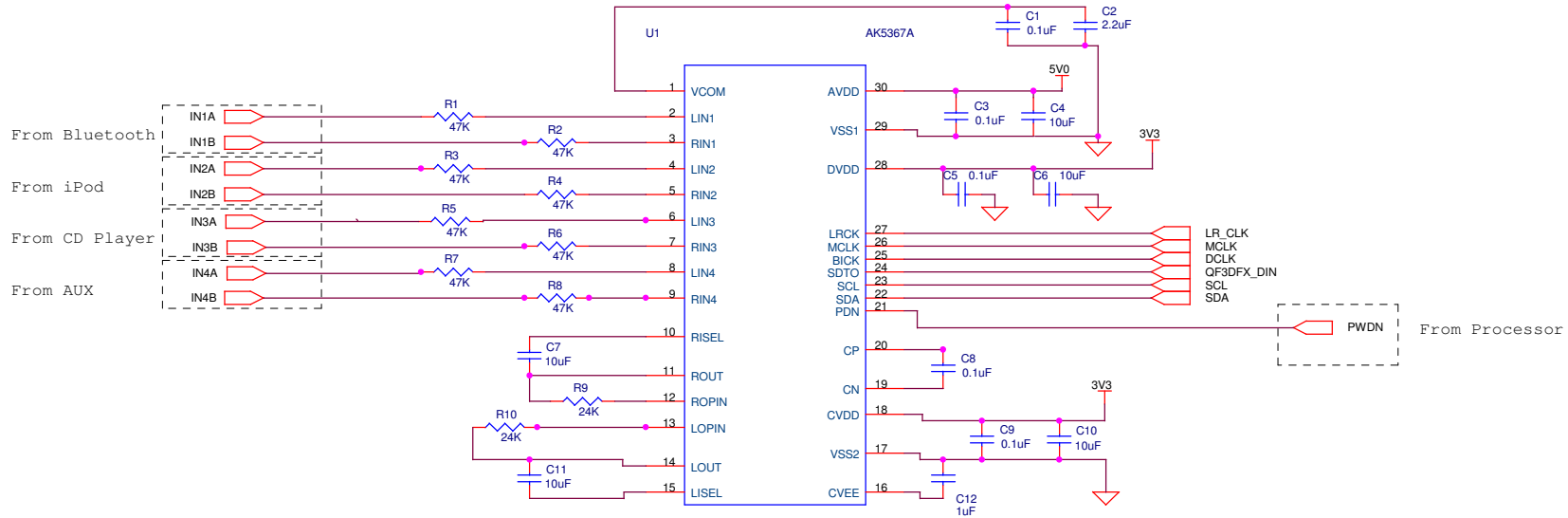
## Block Diagram



Title		
<b>Preliminary Quickfilter 5.1 Design</b>		
Size B	Document Number Quickfilter QF3DFX Reference Design	Rev 2.0
Date:	Friday, February 17, 2012	Sheet 1 of 6

# Preliminary Quickfilter 5.1 Design

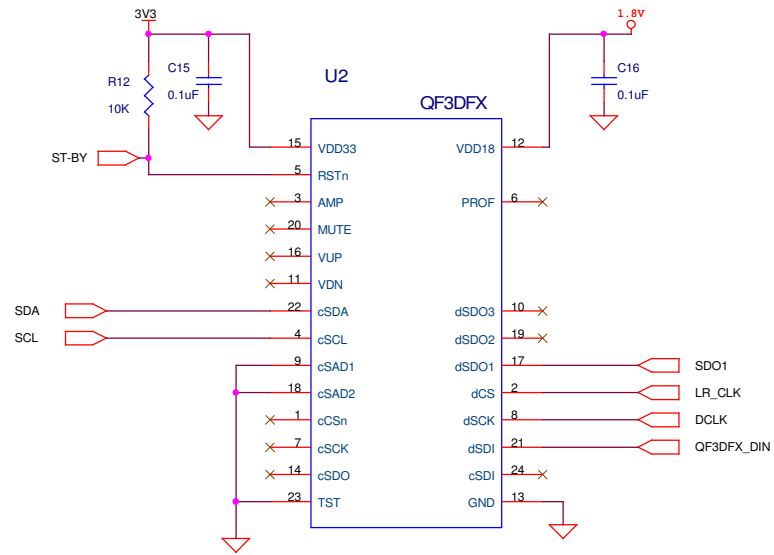
## AK5367A



Title		
Preliminary Quickfilter 5.1 Design		
Size	Document Number	Rev
B	Quickfilter QF3DFX Reference Design	2.0
Date:	Friday, February 17, 2012	Sheet 2 of 6

# Preliminary Quickfilter 5.1 Design

## QF3DFX

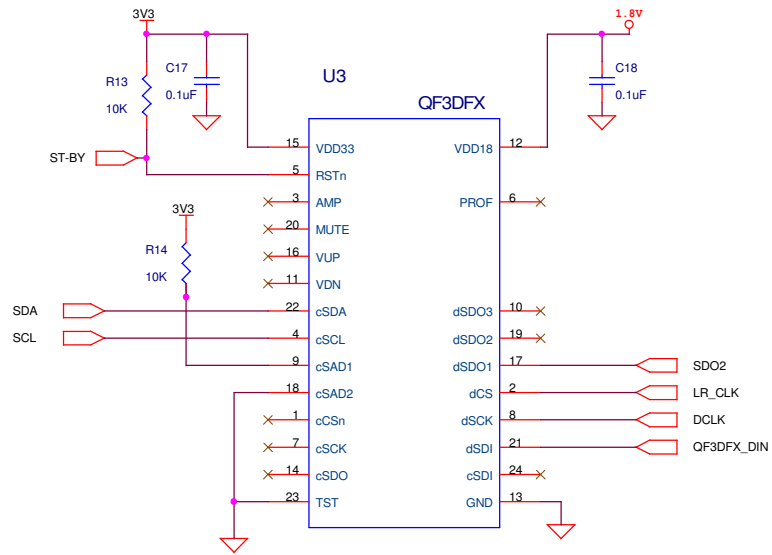


© 2012 Quickfilter Technologies, Inc.

Title		
Preliminary Quickfilter 5.1 Design		
Size	Document Number	Rev
B	Quickfilter QF3DFX Reference Design	2.0
Date:	Friday, February 17, 2012	Sheet 3 of 6

# Preliminary Quickfilter 5.1 Design

## QF3DFX

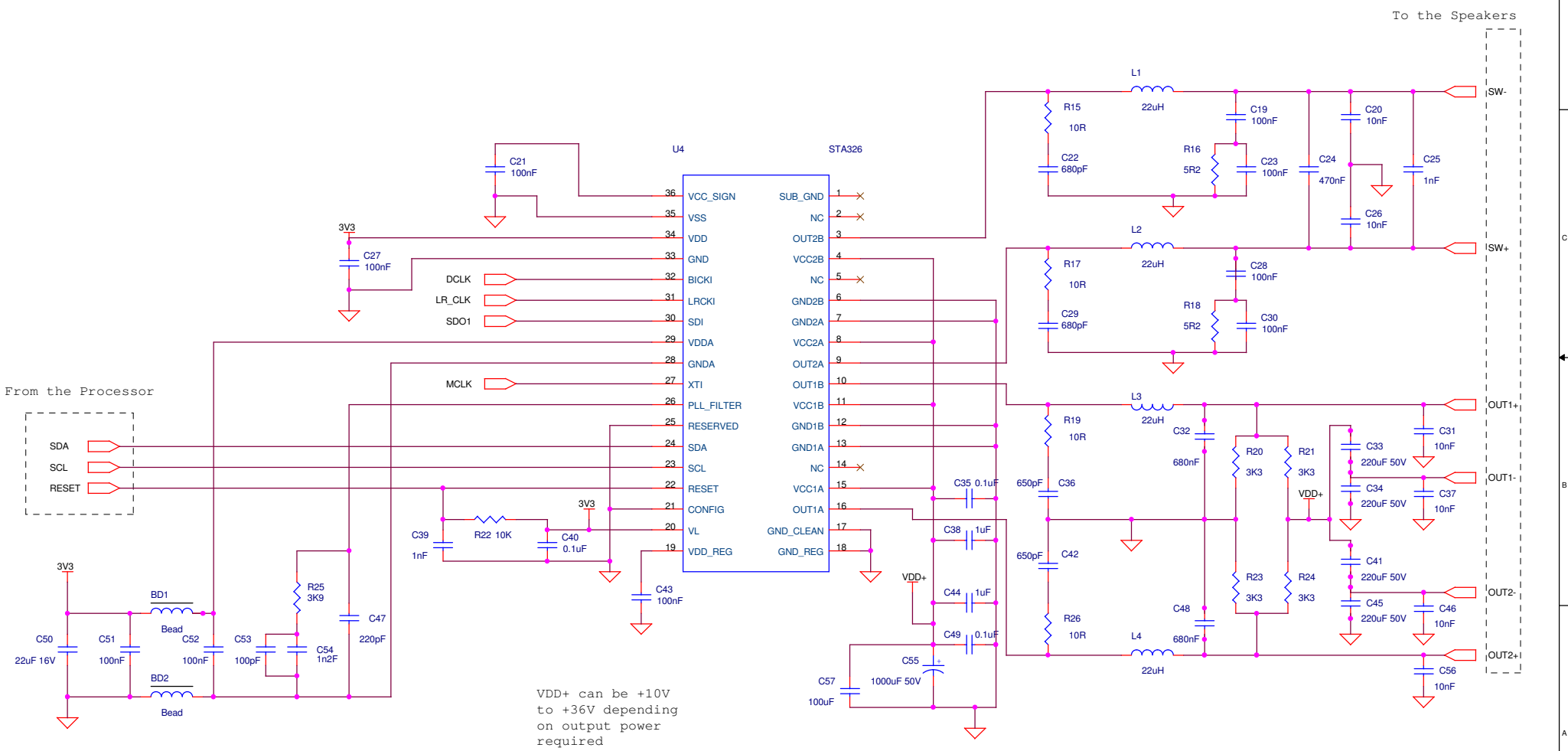


© 2012 Quickfilter Technologies, Inc.

Title		
Preliminary Quickfilter 5.1 Design		
Size	Document Number	Rev
B	Quickfilter QF3DFX Reference Design	2.0
Date:	Friday, February 17, 2012	Sheet 4 of 6

# Preliminary Quickfilter 5.1 Design

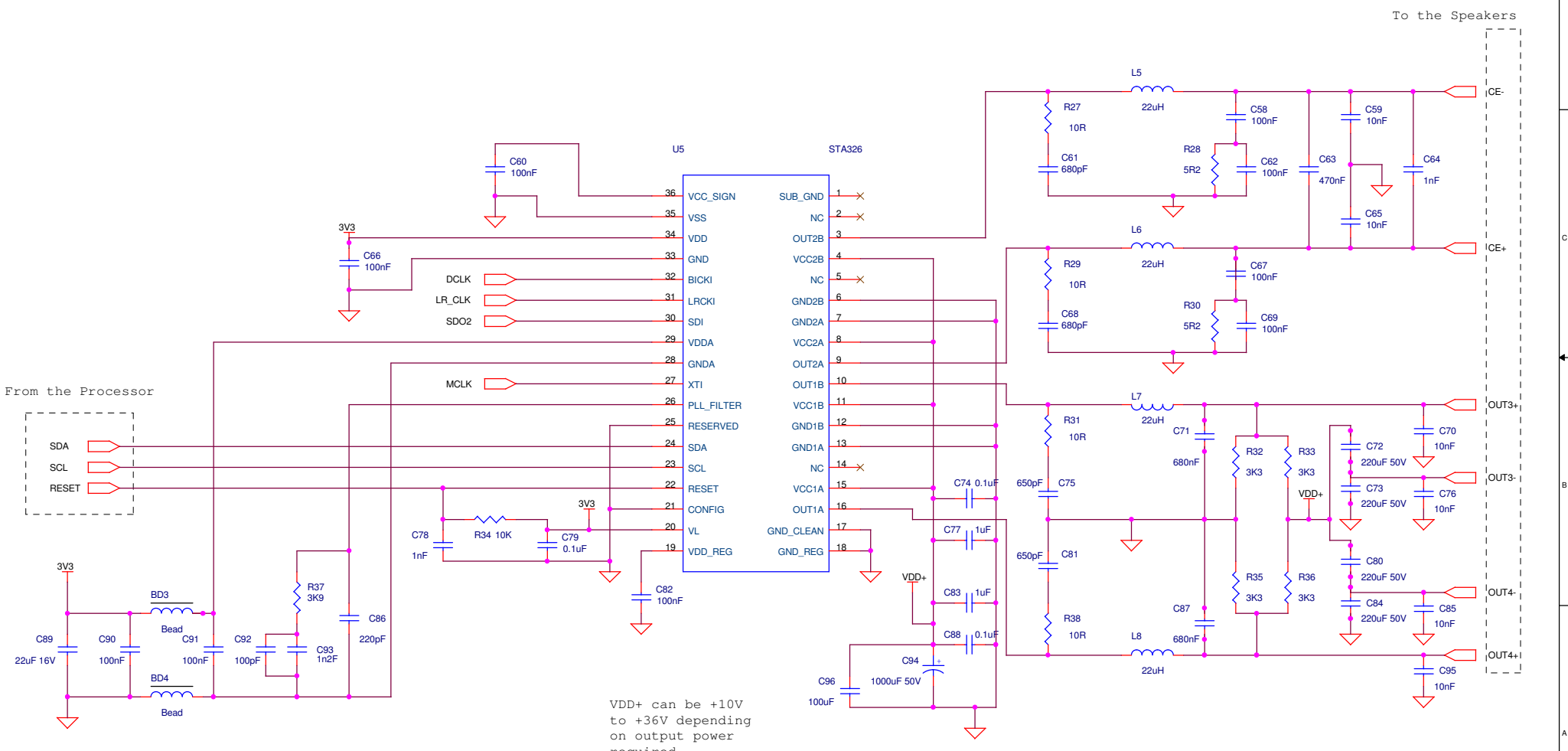
## STA559BW #1



Title		
Preliminary Quickfilter 5.1 Design		
Size	Document Number	Rev
B	Quickfilter QF3DFX Reference Design	2.0
Date:	Friday, February 17, 2012	Sheet 5 of 6

# Preliminary Quickfilter 5.1 Design

## STA559BW #2



Title		
Preliminary Quickfilter 5.1 Design		
Size	Document Number	Rev
B	Quickfilter QF3DFX Reference Design	2.0
Date:	Friday, February 17, 2012	Sheet 6 of 6