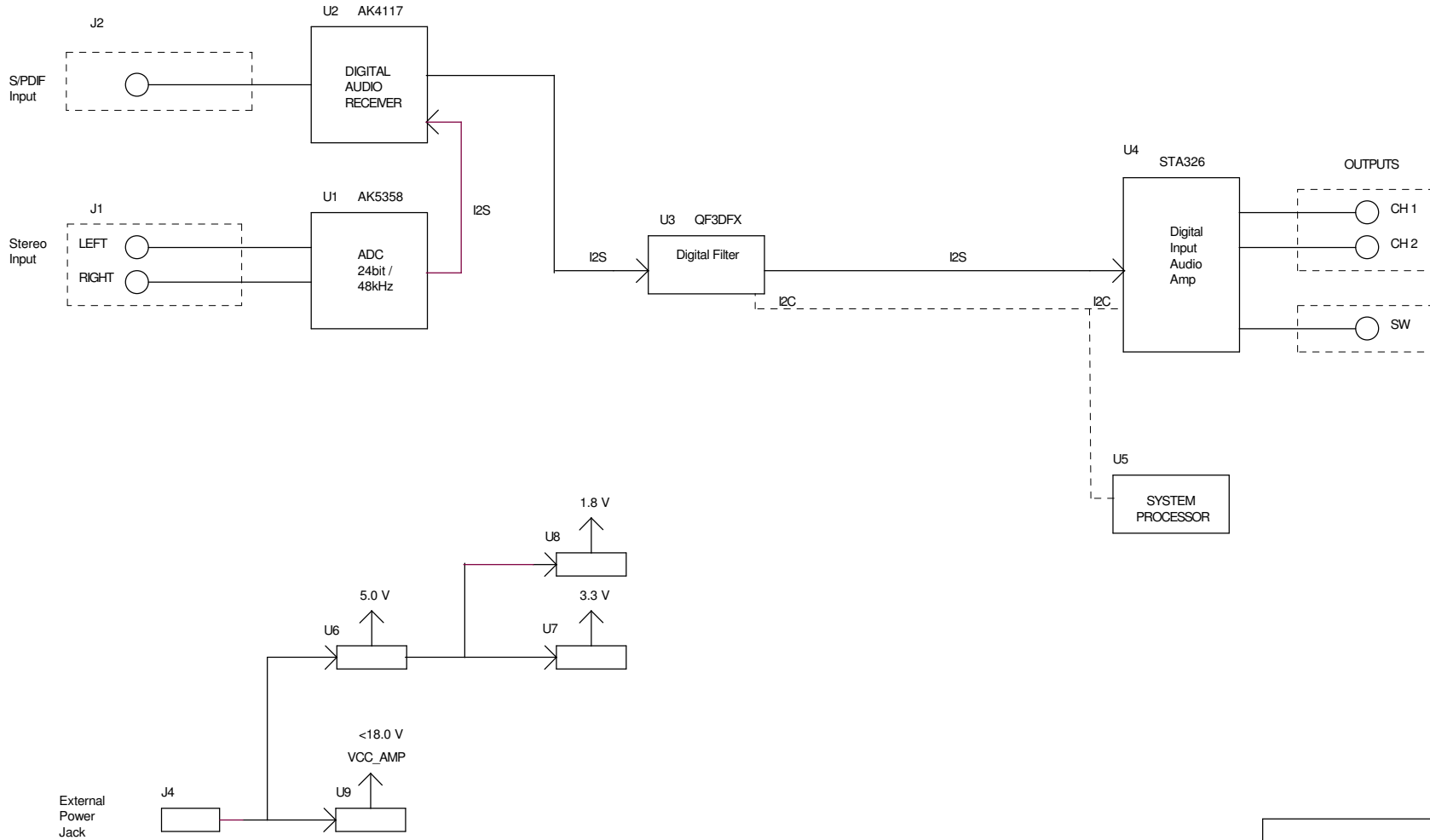


Preliminary Quickfilter 2.1 Design

Block Diagram

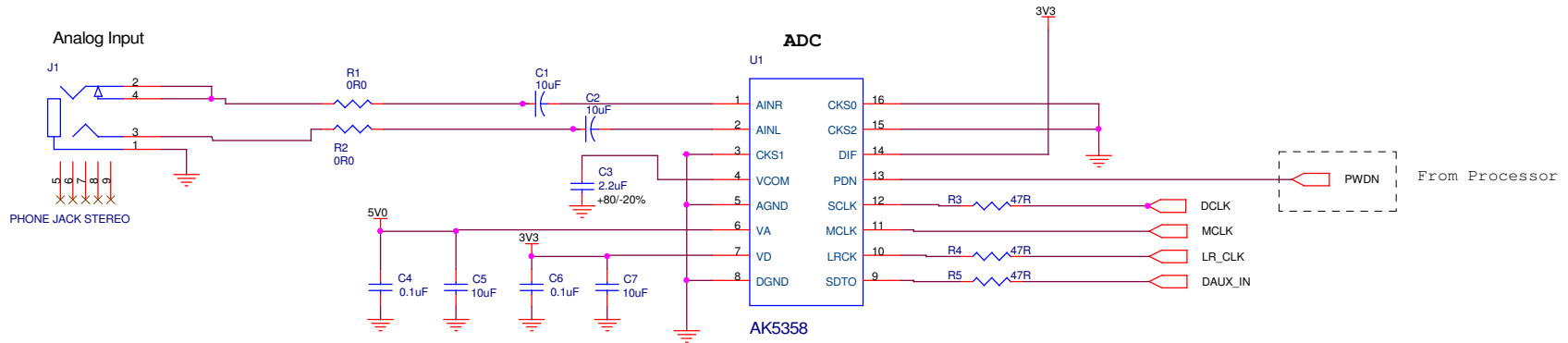


Title		
Preliminary Quickfilter 2.1 Design		
Size	Document Number	Rev
B	Quickfilter QF3DFX Reference Design	1.00
Date:	Thursday, February 16, 2012	Sheet 1 of 7

Preliminary Quickfilter 2.1 Design

AK5358

Set for 48kHz
Slave, I2S
output



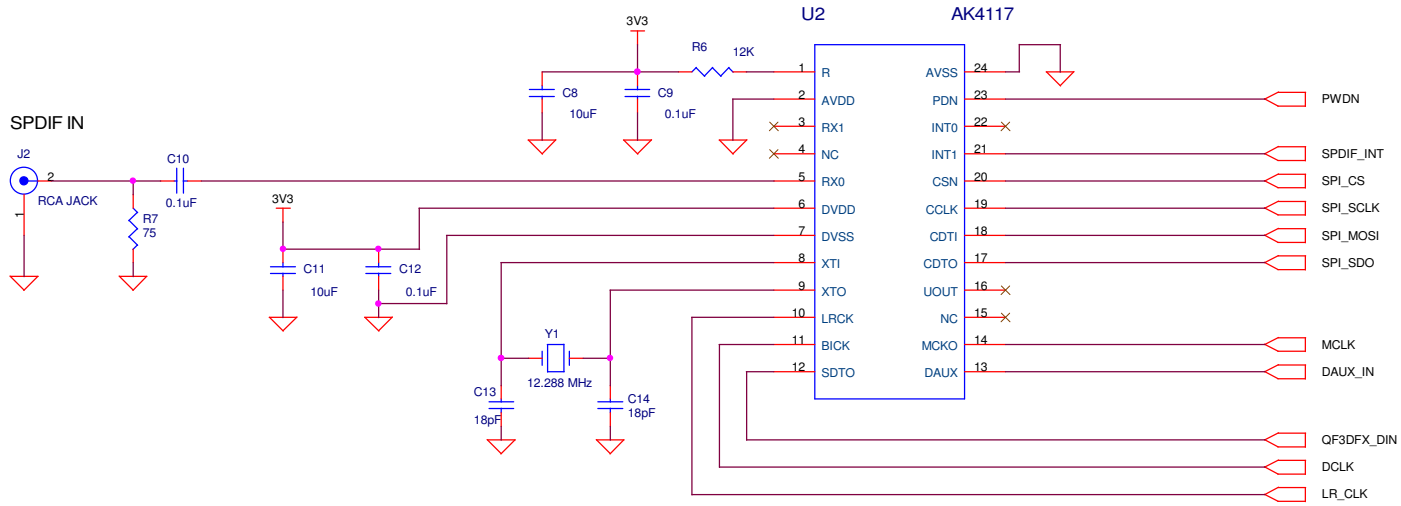
Title		
Preliminary Quickfilter 2.1 Design		
Size	Document Number	Rev
B	Quickfilter QF3DFX Reference Design	1.00
Date:	Thursday, February 16, 2012	Sheet 2 of 7

© 2012 Quickfilter Technologies, Inc.

Preliminary Quickfilter 2.1 Design

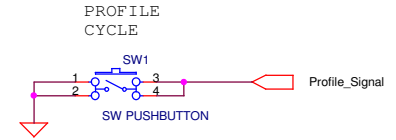
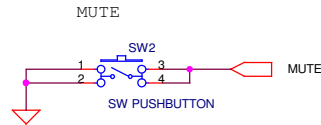
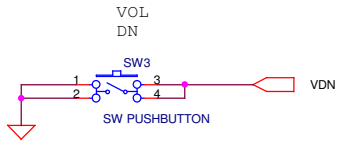
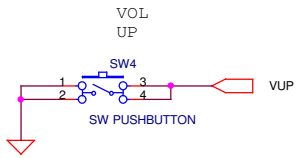
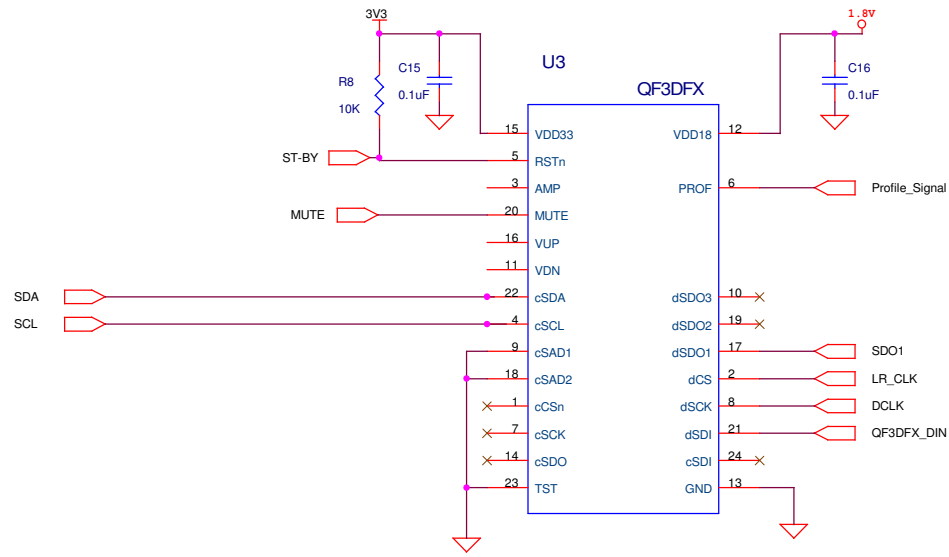
S/PDIF

Configure for 48kHz
Master, I2S output



Title		
Preliminary Quickfilter 2.1 Design		
Size	Document Number	Rev
B	Quickfilter QF3DFX Reference Design	1.00
Date:	Thursday, February 16, 2012	Sheet 3 of 7

Preliminary Quickfilter 2.1 Design

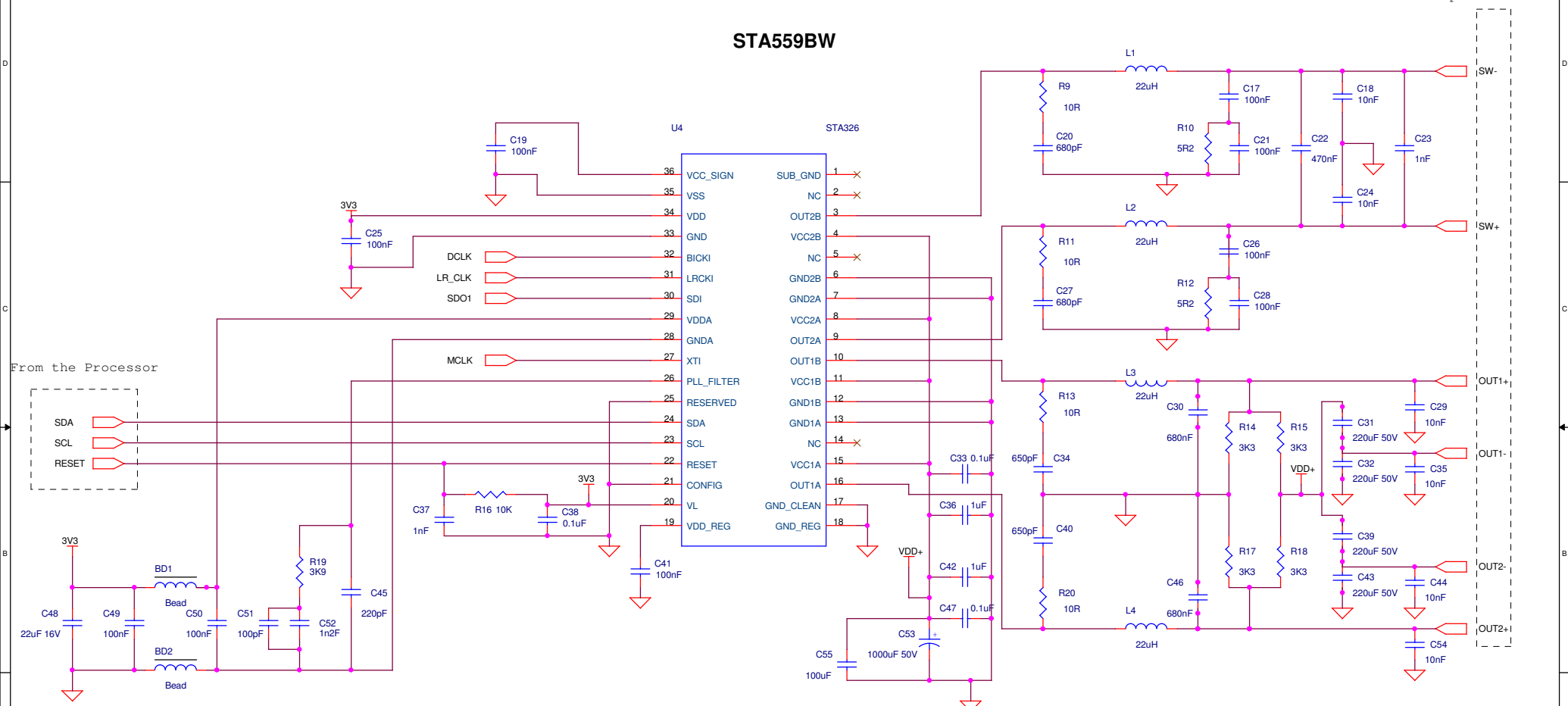


Title		
Preliminary Quickfilter 2.1 Design		
Size	Document Number	Rev
B	Quickfilter QF3DFX Reference Design	1.00
Date:	Thursday, February 16, 2012	Sheet 4 of 7

Preliminary Quickfilter 2.1 Design

STA559BW

To the Speakers



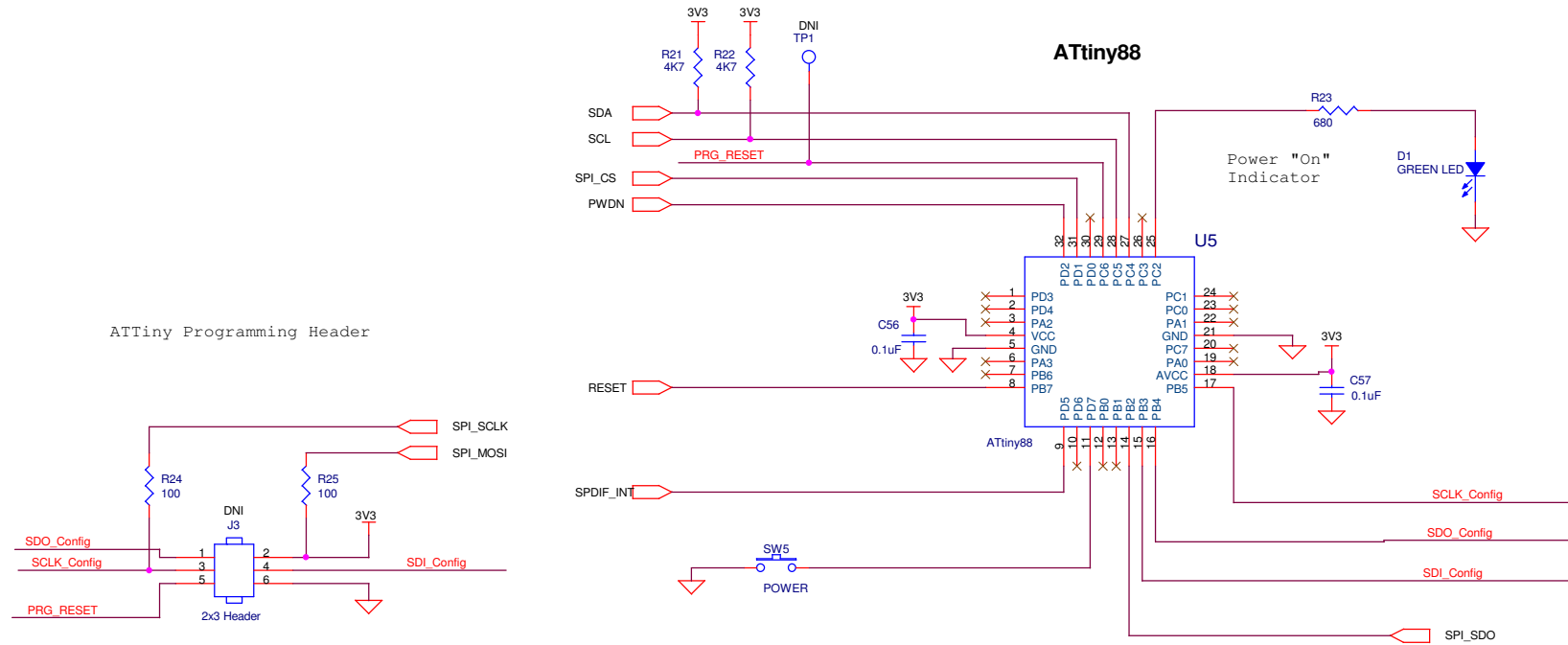
VDD+ can be +10V to +36V depending on output power required, up to 80W to the subwoofer and 40W to the stereo channels. The 9.5V supplied to VDD+ in this implementation provides approximately 5.5W output power to the subwoofer and 2.8W to the left and right channel outputs.

Title		
Preliminary Quickfilter 2.1 Design		
Size B	Document Number Quickfilter QF3DFX Reference Design	Rev 1.00
Date:	Thursday, February 16, 2012	Sheet 5 of 7

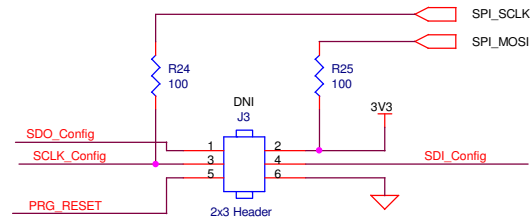
Preliminary Quickfilter 2.1 Design

Microcontroller

ATtiny88



ATtiny Programming Header



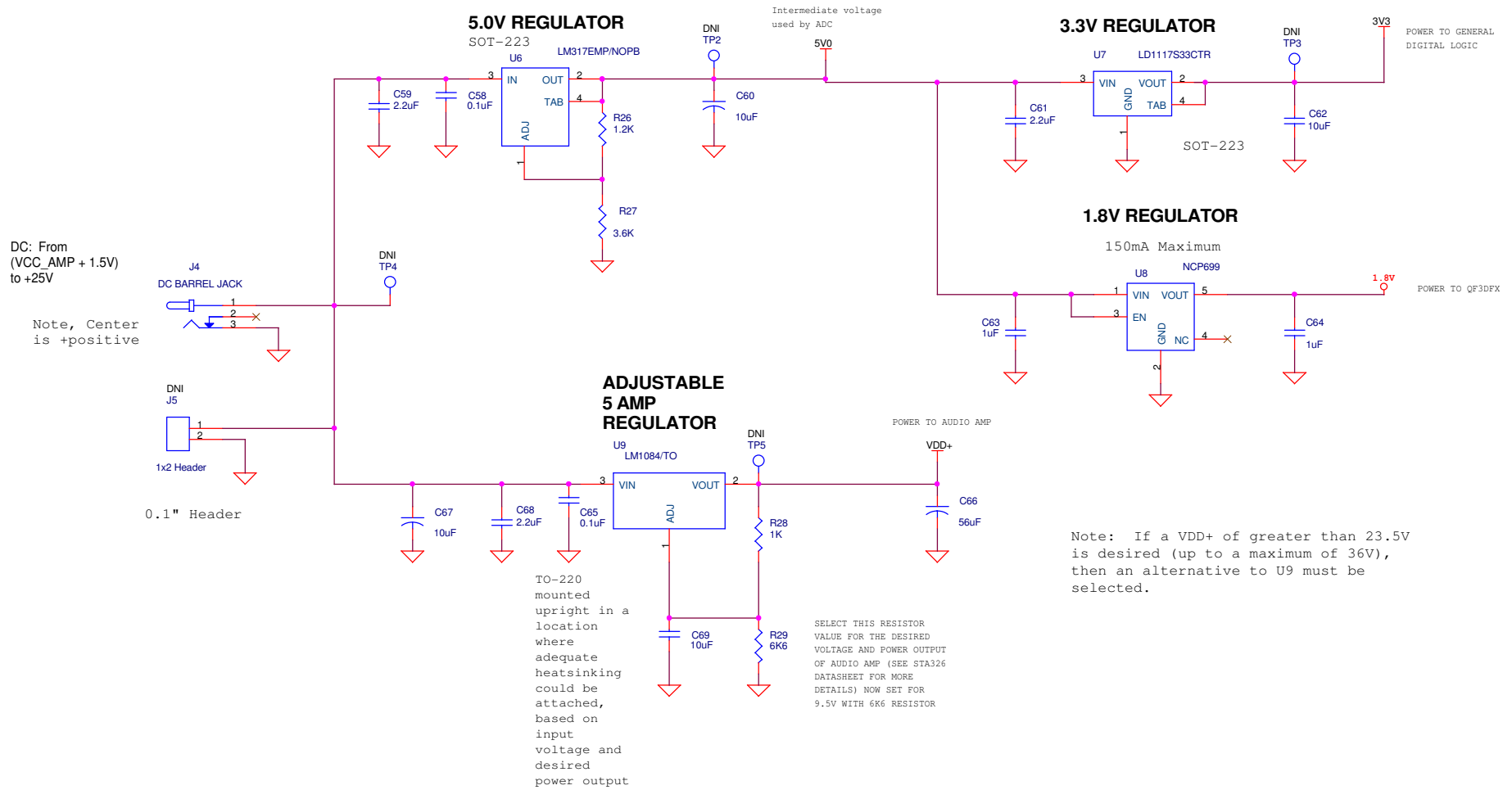
NOTE: For prototype. Not necessary for pre-programmed microcontrollers

Microcontroller powers down other devices and enters sleep mode

Title		
Preliminary Quickfilter 2.1 Design		
Size B	Document Number Quickfilter QF3DFX Reference Design	Rev 1.00
Date:	Thursday, February 16, 2012	Sheet 6 of 7

Preliminary Quickfilter 2.1 Design

Power



Title		
Preliminary Quickfilter 2.1 Design		
Size B	Document Number Quickfilter QF3DFX Reference Design	Rev 1.00
Date:	Thursday, February 16, 2012	Sheet 7 of 7