

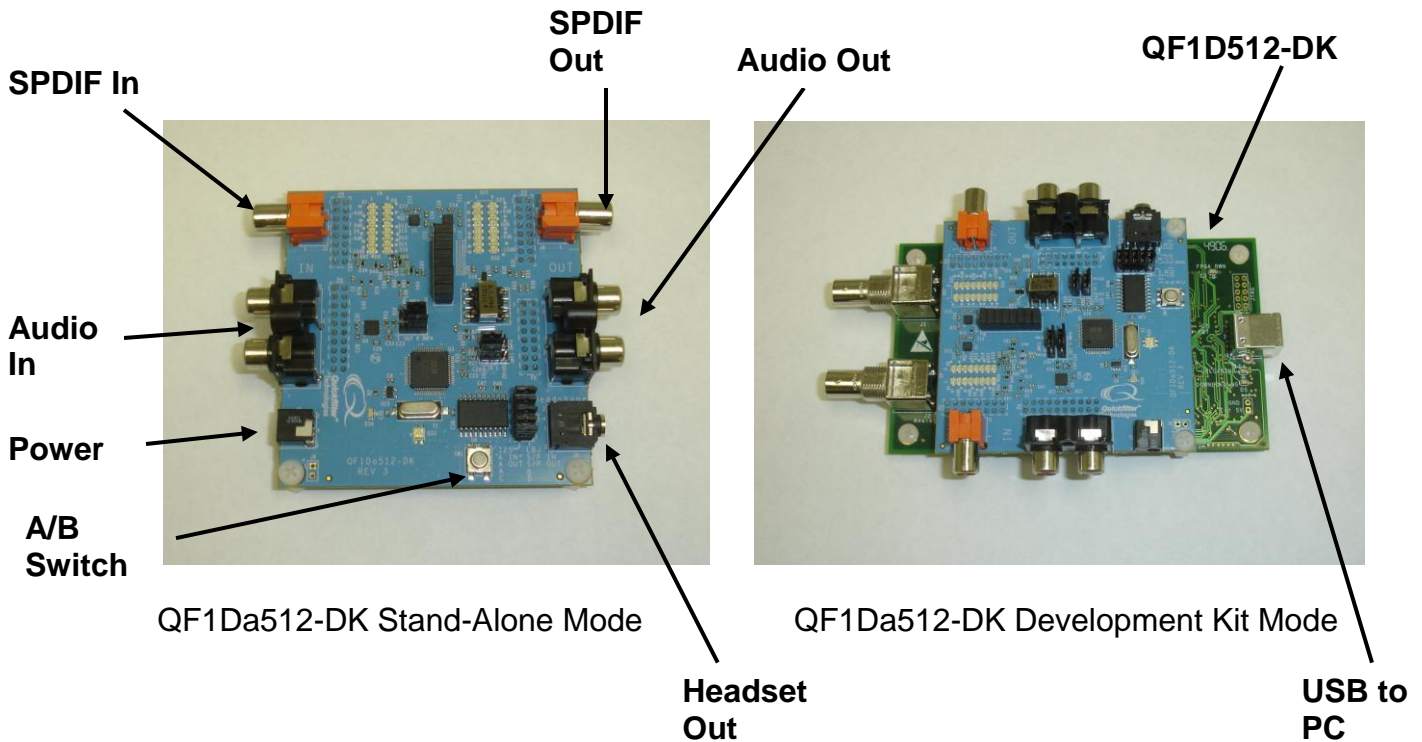
QF1Da512-DK Startup Guide

QF1Da512 Audio SavFIRe™ Digital Filter

1. Introduction

Specifications

Parameter	Min	Typ	Max	Conditions	Measurement
Vboard	6Vdc	9Vdc	12Vdc		
Vanalog		5Vdc			
Vd33		3.3Vdc			
Vd18		1.8Vdc			
Line Level In		1Vrms	2Vrms		Audio Precision
Line Level Out		1Vrms	2Vrms		Audio Precision
SNR		-98DB			Audio Precision
THD		0.1%			Audio Precision
Noise floor		-75dB			Audio Precision



Kit Contents

QF1Da512 – DK Kit

- QF1Da512 – DK Development Board
- Startup Guide
- 6V power supply

QF1D512 Development Kit

- QF1D512 Development Kit Board
- USB and analog input cables
- Startup Guide

User Supplied

- Stereo RCA audio cables

The basic structure of the QF1Da512 – DK is shown in Figure 1.

Standalone Mode

Connect the input of the QF1Da512 – DK board to an audio source using stereo RCA cables (user supplied).

Connect the output of the QF1Da512 – DK board to an audio output device (powered speakers, headphones, a PC audio card AUX input, etc.) or an analysis tool (spectrum analyzer, oscilloscope, etc.) using stereo RCA cables (user supplied) to review the results.

To connect via I2S, remove the jumpers bridging pins 1/2 and 3/4 on J6. Connect the I2S input to pin 2 and the I2S output to pin 4. Grounds are pins 13 and 15 on Jumper J6.

Connect an external power supply (6V – 12V DC, 1A) to the QF1Da512 – DK board.

Development Mode

Mount the QF1Da512-DK board on the QF1D512 Development Kit (plastic feet away from BNC connectors).

Connect the QF1Da512-DK board to an input source(see standalone mode) and powered external speakers.

Connect the power supply to the QF1Da512-DK board.

QuickFilter Pro

Refer to the Quickfilter Pro development tool on exporting filters to this development kit.

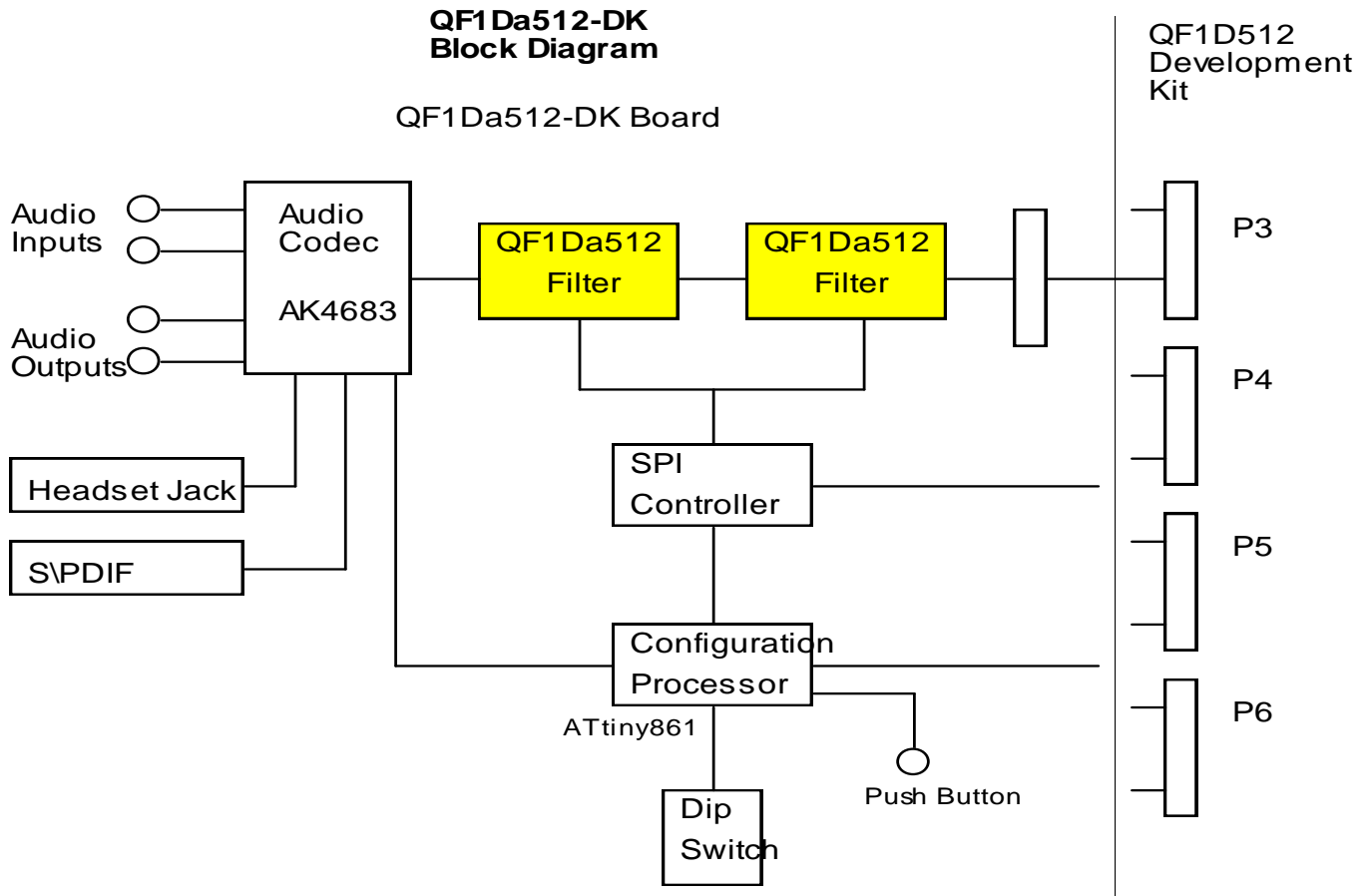


Figure 1. QF1Da512 – DK Block Diagram

Contact Information:

Quickfilter Technologies, Inc.
1024 S. Greenville Avenue, Suite 100
Allen, TX 75002-3324

Phone: 214-547-0460

Fax: 214-547-0481

Web: <http://www.quickfiltertech.com>

The contents of this document are provided in connection with Quickfilter Technologies, Inc. products. Quickfilter makes no representations or warranties with respect to the accuracy or completeness of the contents of this publication and reserves the right to make changes to specifications and product descriptions at any time without notice. No license, whether express, implied, arising by estoppels or otherwise, to any intellectual property rights is granted by this publication. Except as set forth in Quickfilter's Standard Terms and Conditions of Sale, Quickfilter assumes no liability whatsoever, and disclaims any express or implied warranty, relating to its products including, but not limited to, the implied warranty of merchantability, fitness for a particular purpose, or infringement of any intellectual property right.

Quickfilter's products are not designed, intended, authorized or warranted for use as components in systems intended for surgical implant into the body, or in other applications intended to support or sustain life, or in any other application in which the failure of Quickfilter's product could create a situation where personal injury, death, or severe property or environmental damage may occur. Quickfilter reserves the right to discontinue or make changes to its products at any time without notice.

© 2009 Quickfilter Technologies, Inc.
All rights reserved.

Quickfilter, the Quickfilter logo and combinations thereof, are trademarks of Quickfilter Technologies, Inc.

Other product names used in this publication are for identification purposes only and may be trademarks of their respective companies.