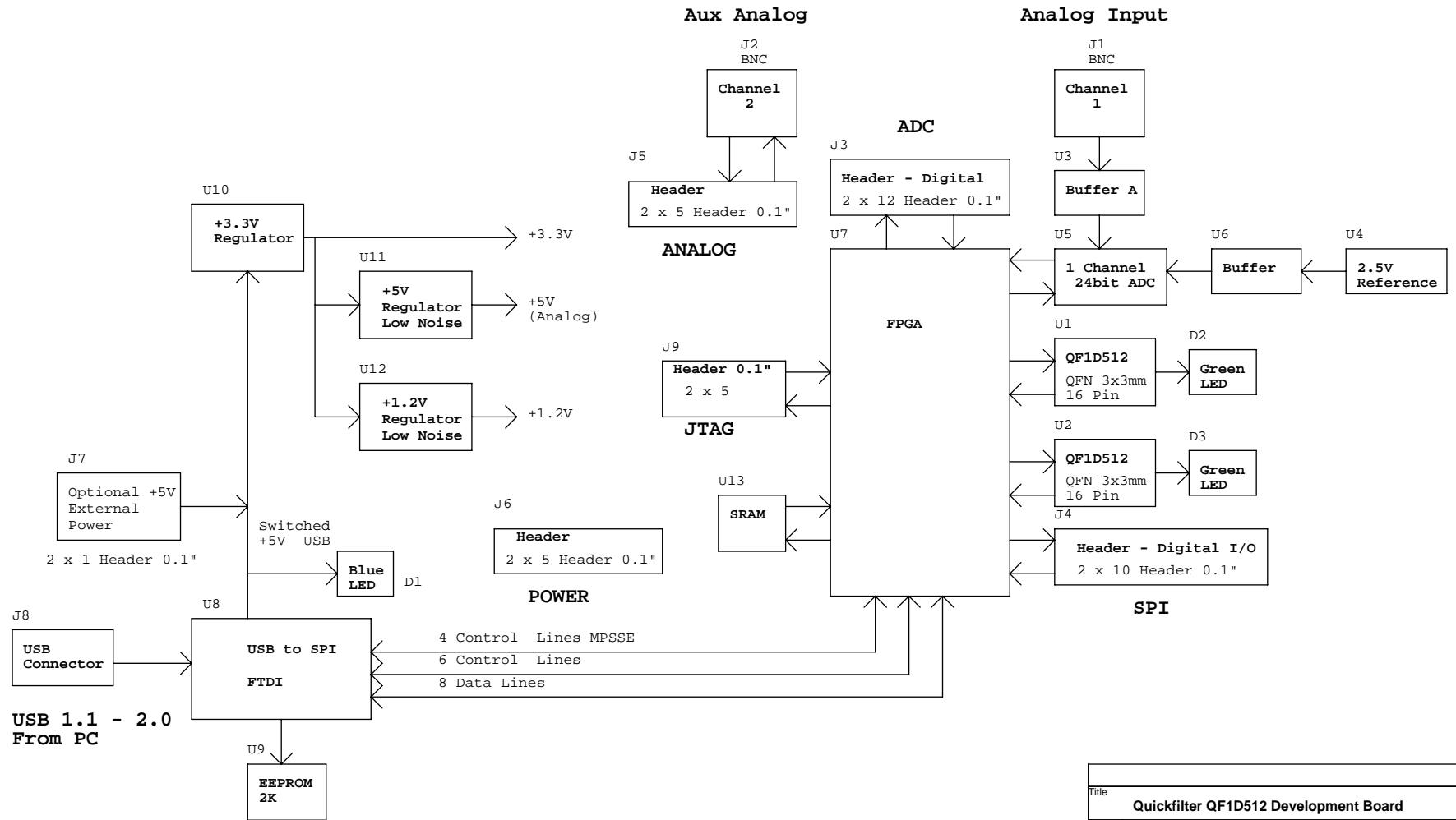
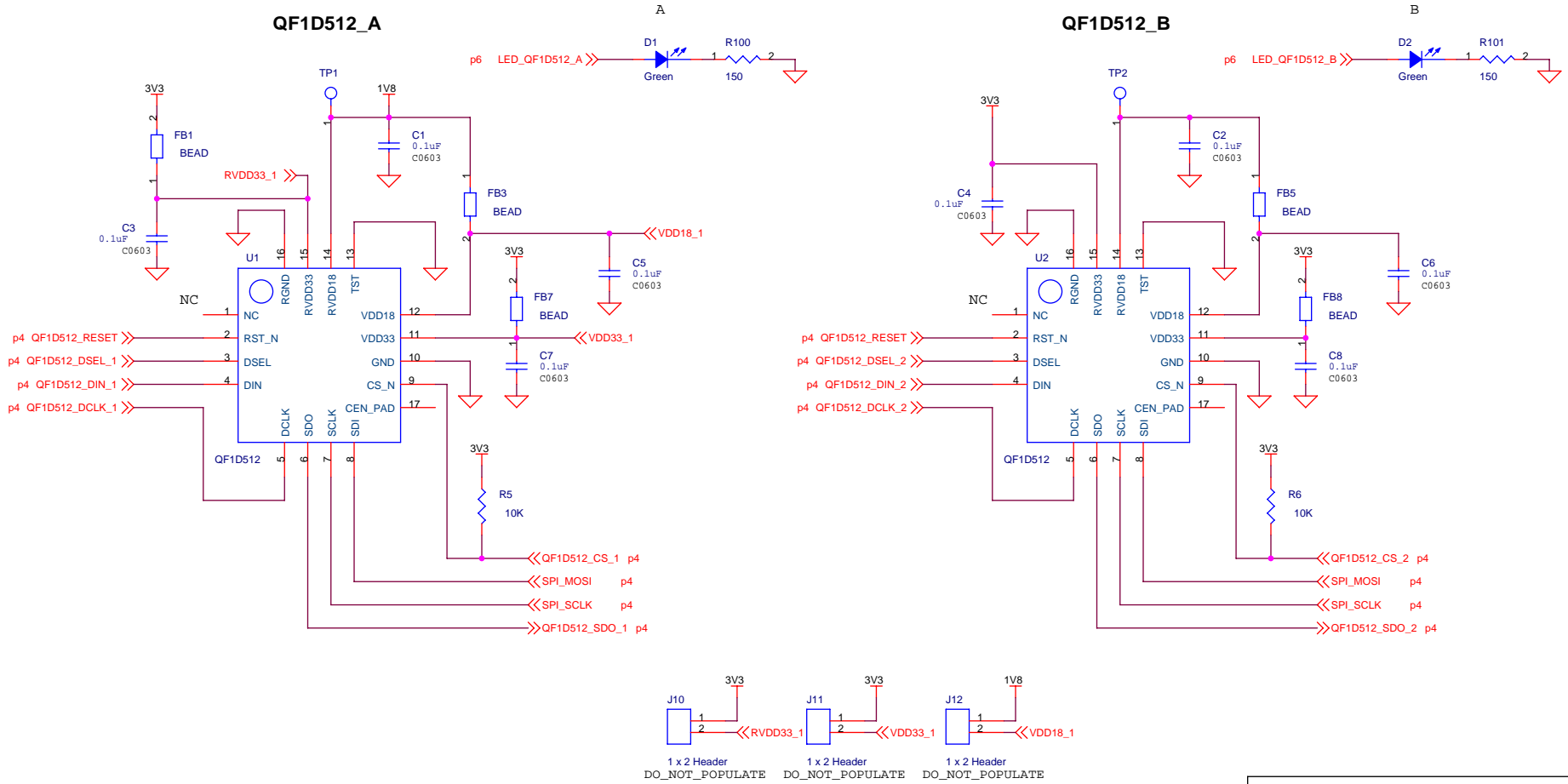


Quickfilter Development Board QF1D512-DK



Title		
Quickfilter QF1D512 Development Board		
Size	Document Number	Rev
B	QF1D512 - DK	1.4
Date:	Monday, September 18, 2006	Sheet 1 of 7

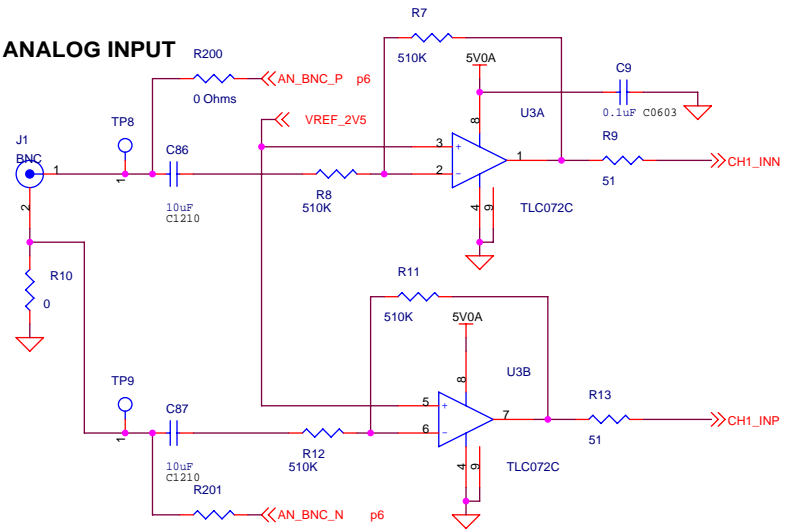
Quickfilter QF1D512-DK



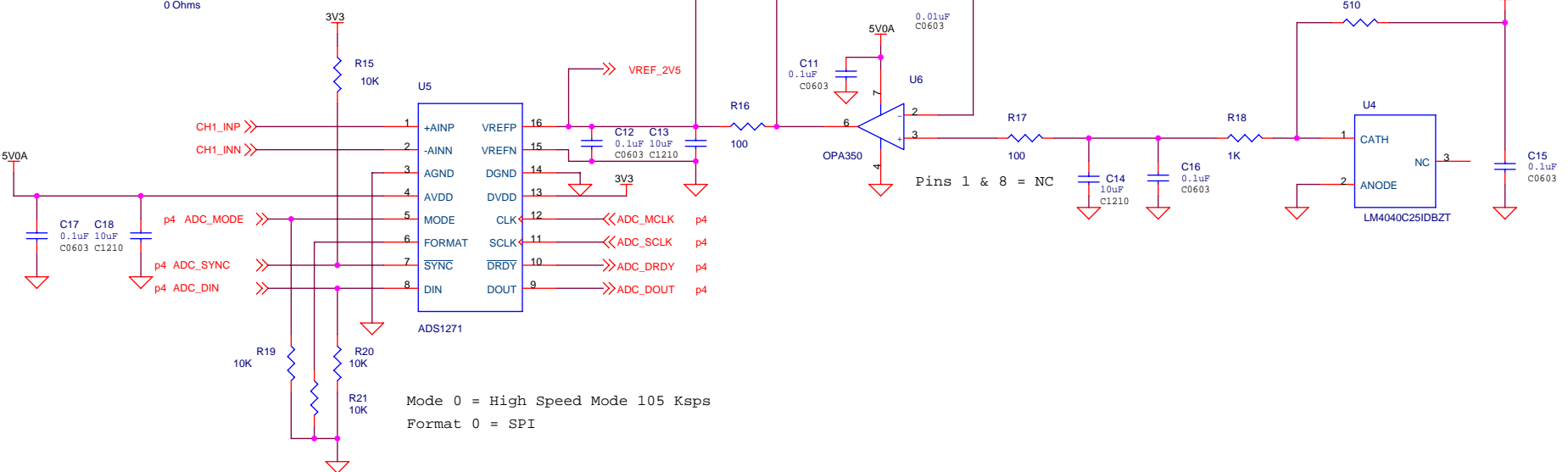
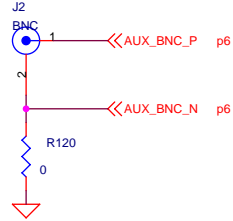
Title		
Quickfilter QF1D512 - DK		
Size	Document Number	Rev
B	QF1D512 - DK	1.4
Date:	Monday, September 18, 2006	Sheet 2 of 7

Quickfilter QF1D512 - DK, Analog to Digital Converter

ANALOG INPUT



AUX BNC

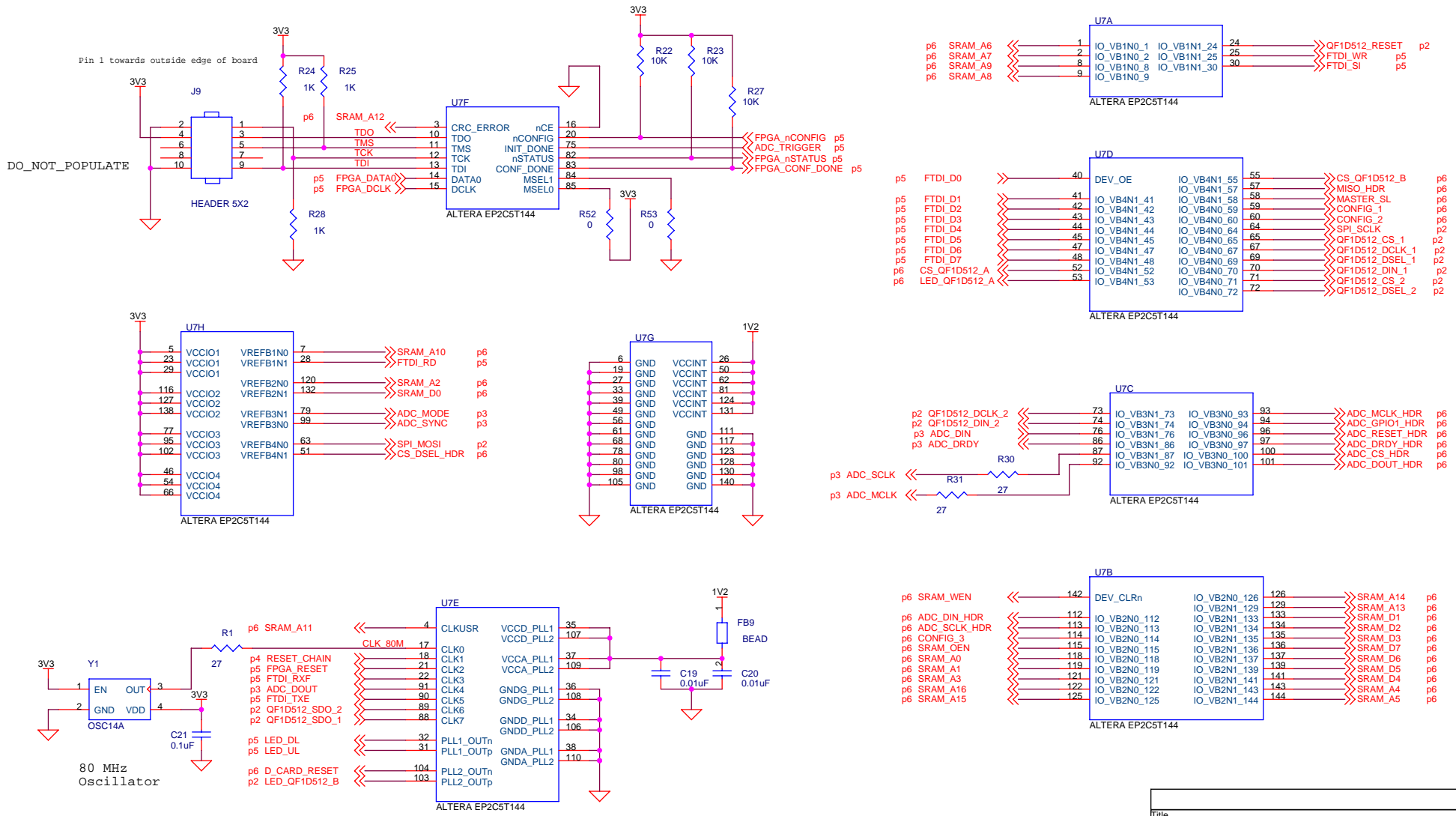


Mode 0 = High Speed Mode 105 Ksps
Format 0 = SPI

© 2006 Quickfilter Technologies, Inc.

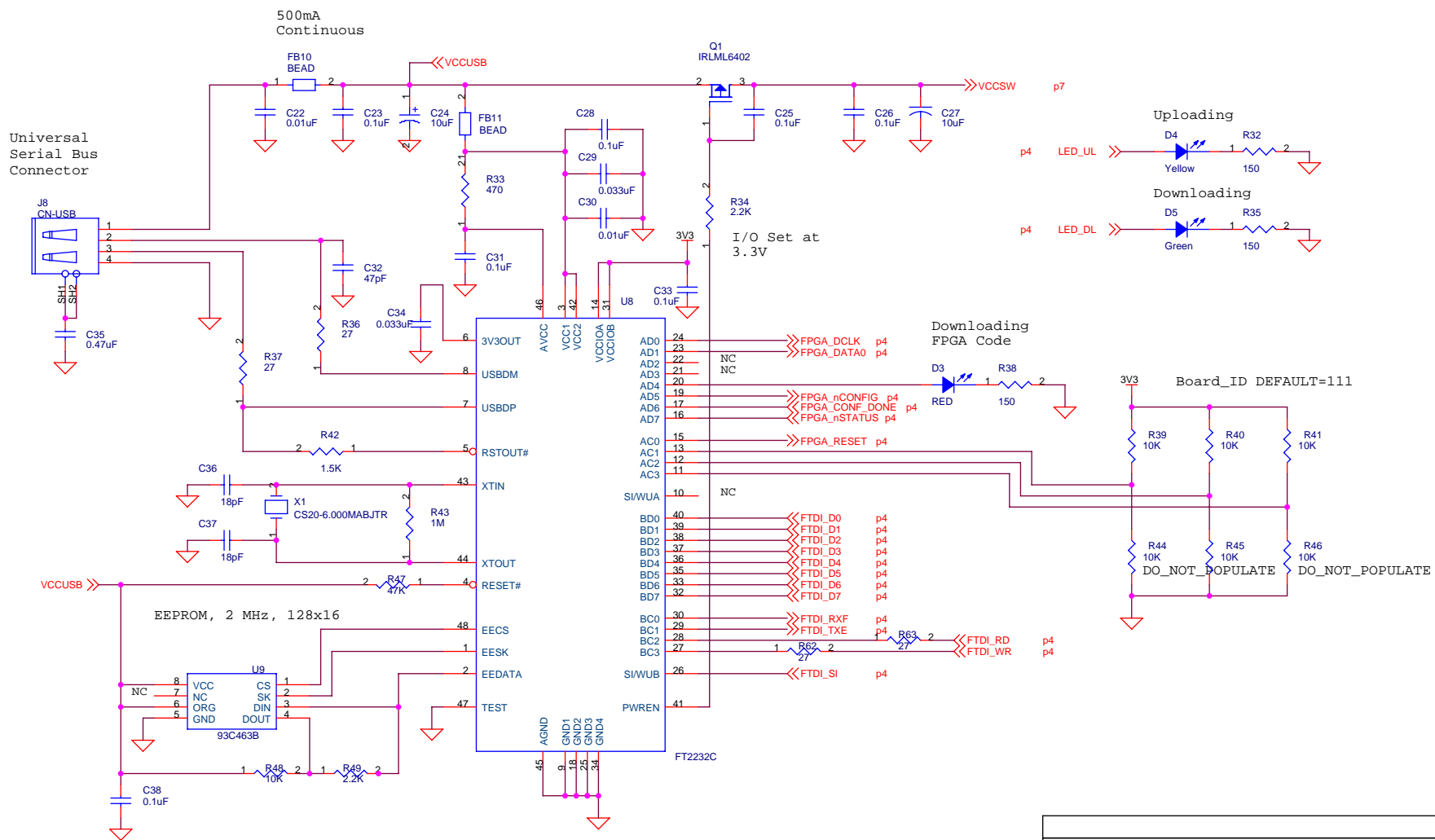
Title Quickfilter QF1D512 - DK, ADC		
Size B	Document Number QF1D512 - DK	Rev 1.2
Date: Monday, September 18, 2006	Sheet 3	of 7

Quickfilter QF1D512 - DK, FPGA



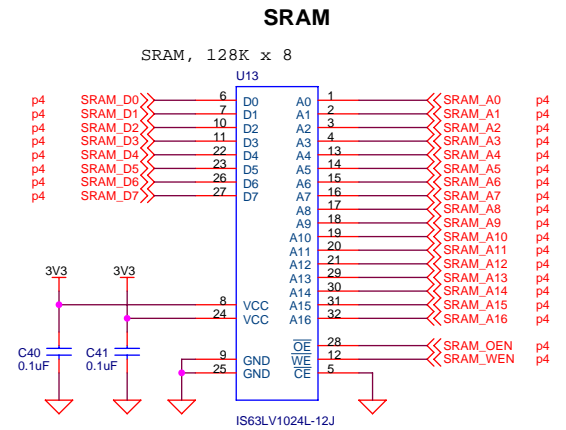
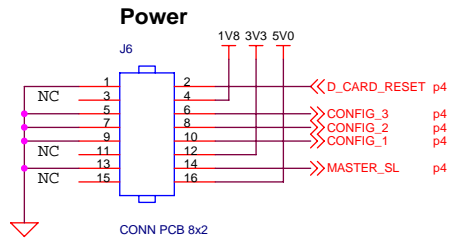
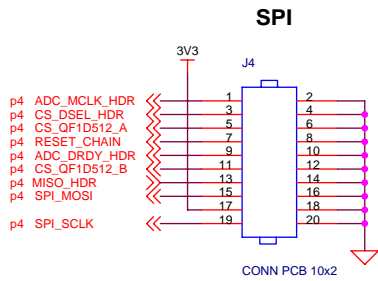
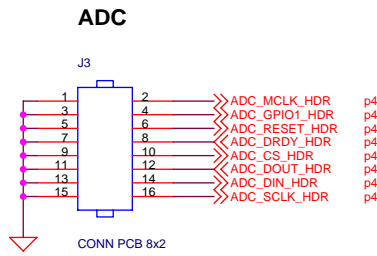
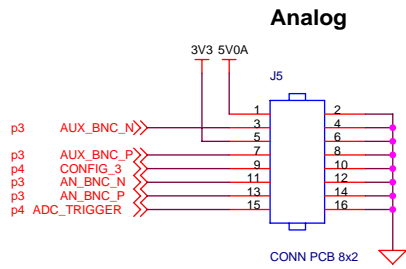
Title		
Quickfilter QF1D512 - DK, FPGA		
Size	Document Number	Rev
B	QF1D512-DK	1.4
Date:	Monday, September 25, 2006	Sheet 4 of 7

Quickfilter QF1D512 - DK, USB



Title		
Quickfilter QF1D512-DK, USB		
Size	Document Number	Rev
B	QF1D512 - DK	1.4
Date:	Monday, September 18, 2006	Sheet 5 of 7

Quickfilter QF1D512 - DK, Connections

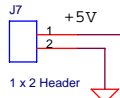


Title		
Quickfilter QF1D512-DK, Connections		
Size	Document Number	Rev
B	QF1D512 - DK	1.4
Date:	Monday, September 18, 2006	Sheet 6 of 7

Quickfilter Development Board, Power

External +5V Power Option

0.1" Header Not Stuffed

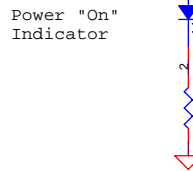


Remove to isolate USB power when using low noise external +5V power

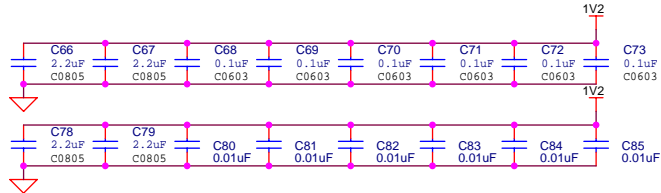
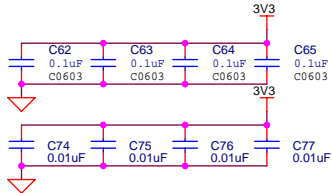
+4.75 to 5.25V from USB, 500mA



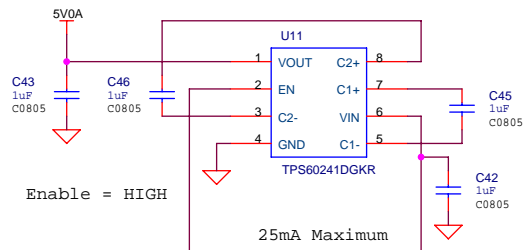
Power "On" Indicator



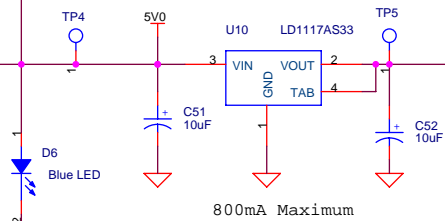
FPGA Bypass Capacitors



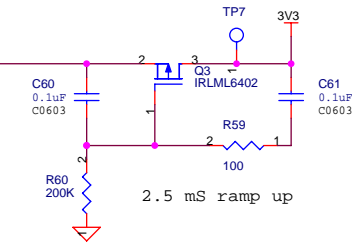
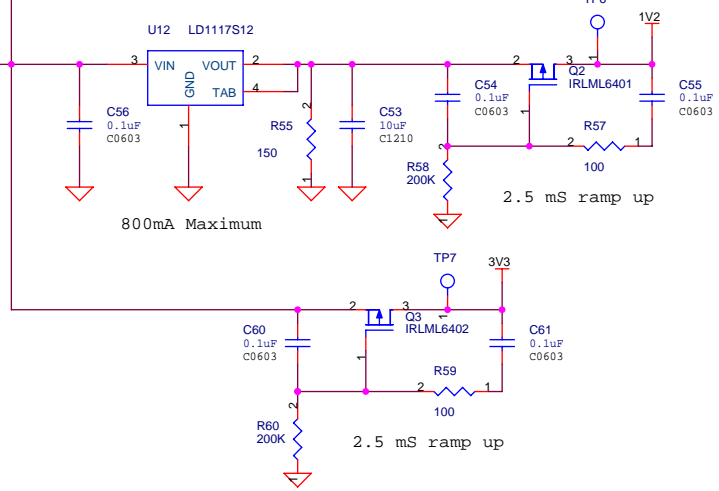
5V REGULATOR



3.3V REGULATOR



1.2V REGULATOR



Title		
Quickfilter QF1D512-DK, Power		
Size	Document Number	Rev
B	QF1D512 - DK	1.4
Date:	Monday, September 25, 2006	Sheet 7 of 7