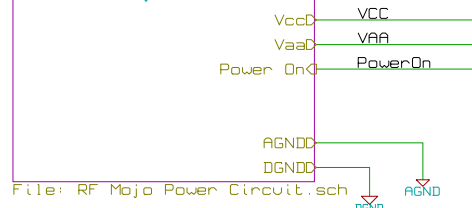
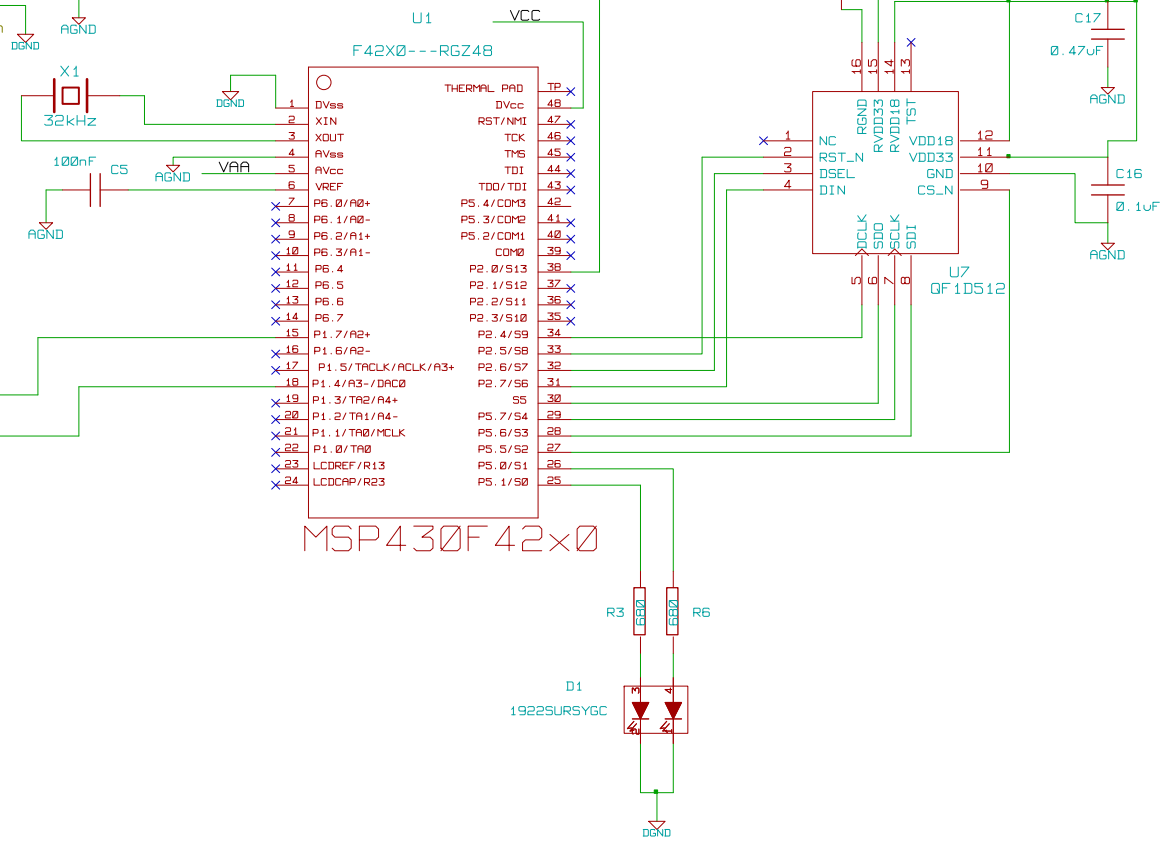
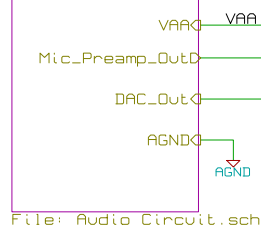


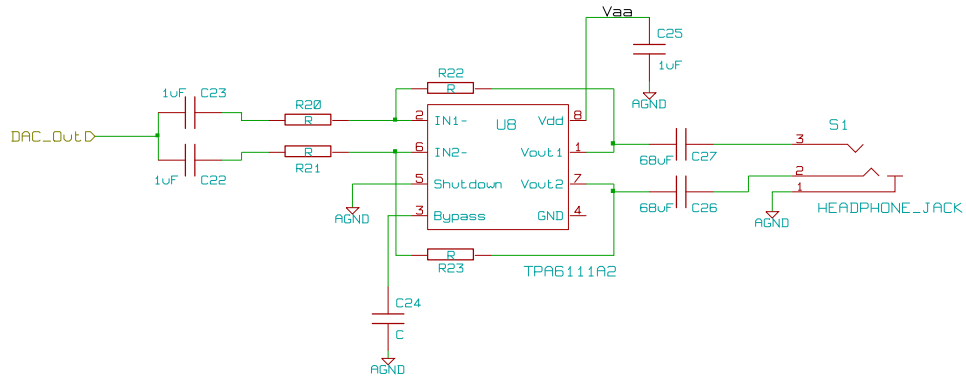
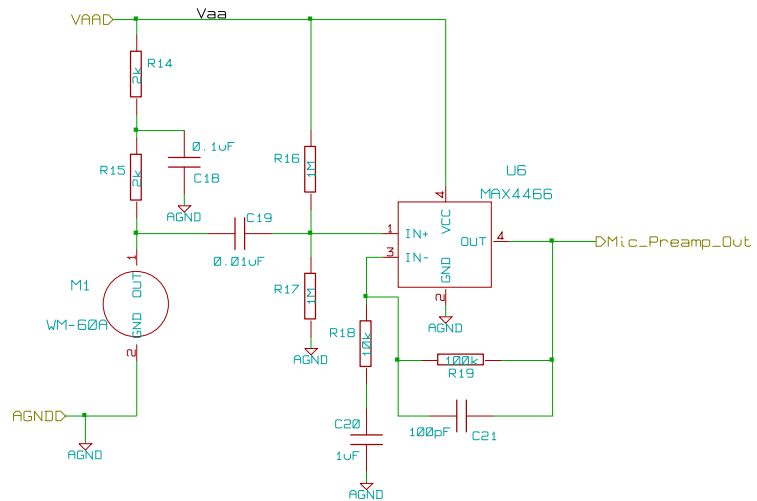
Sheet: RF Mojo Power Circuit



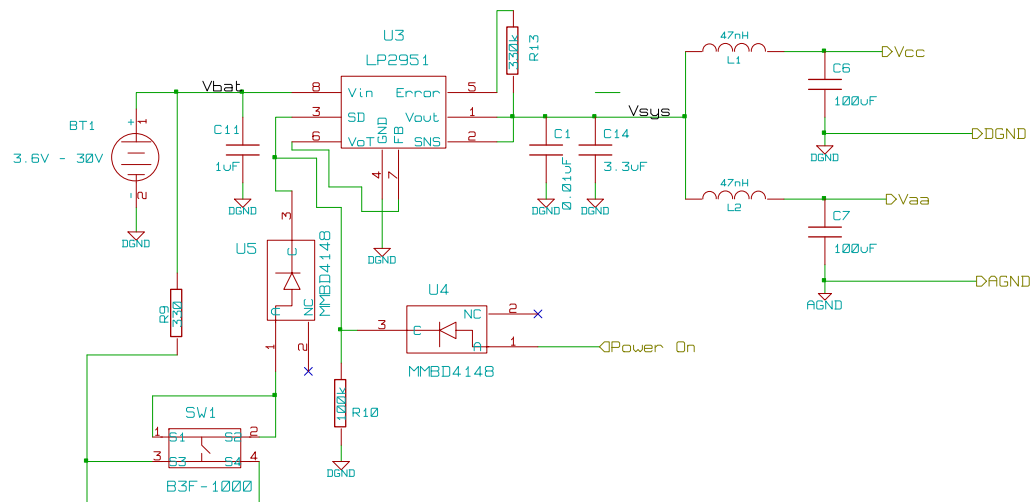
Sheet: Audio Circuit



Quickfilter Technologies	
Title: Quickfilter Digital Stethoscope	
Size: User	Date: 16 may 2007
KiCad E.D.A.	EESchema (2007-02-16)
Rev: A	Sheet: 1/3



Quickfilter Technologies		
Title: Quickfilter Digital Stethoscope Audio Circuit		
Size: A4	Date: 16 may 2007	Rev: A
KiCad E.D.A.	EESchema (2007-02-16)	Sheet: 2/3



Quickfilter Technologies	
Title: Quickfilter Digital Stethoscope Power Circuit	
Size: Use	Date: 16 may 2007
Rev: A	Sheet: 3/3
KiCad E.D.A. EESchema (2007-02-16)	