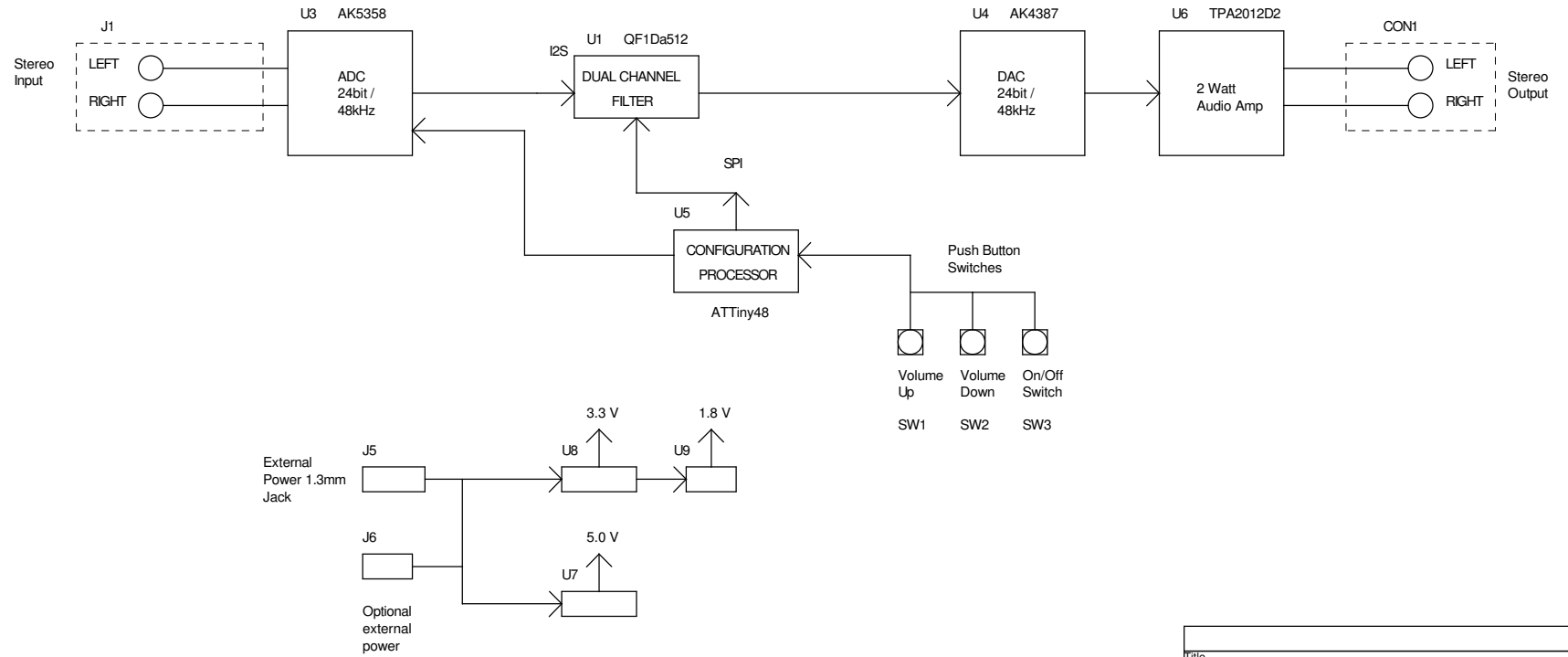


# AUDIO DRAGON I - Single Filter Block Diagram

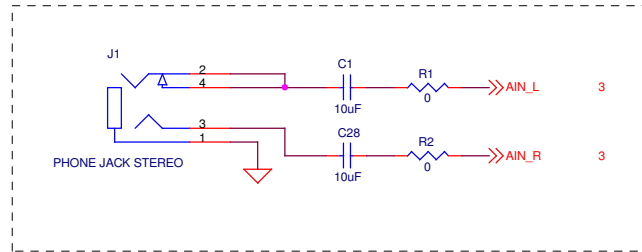


Title		
<b>Block Diagram</b>		
Size B	Document Number AUDIO DRAGON I - Single Filter	Rev 2.0
Date:	Thursday, January 21, 2010	Sheet 1 of 6

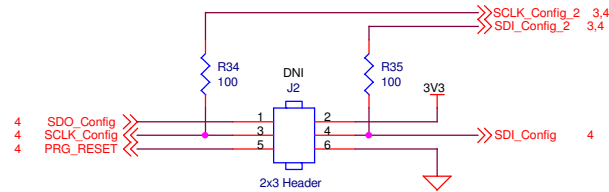
# AUDIO DRAGON I - Single Filter

## Board Interfaces

Analog Input



ATTiny Programming Header



Note not necessary for pre-programmed microcontrollers. Header can be touch pads on bed of nails saving connector cost

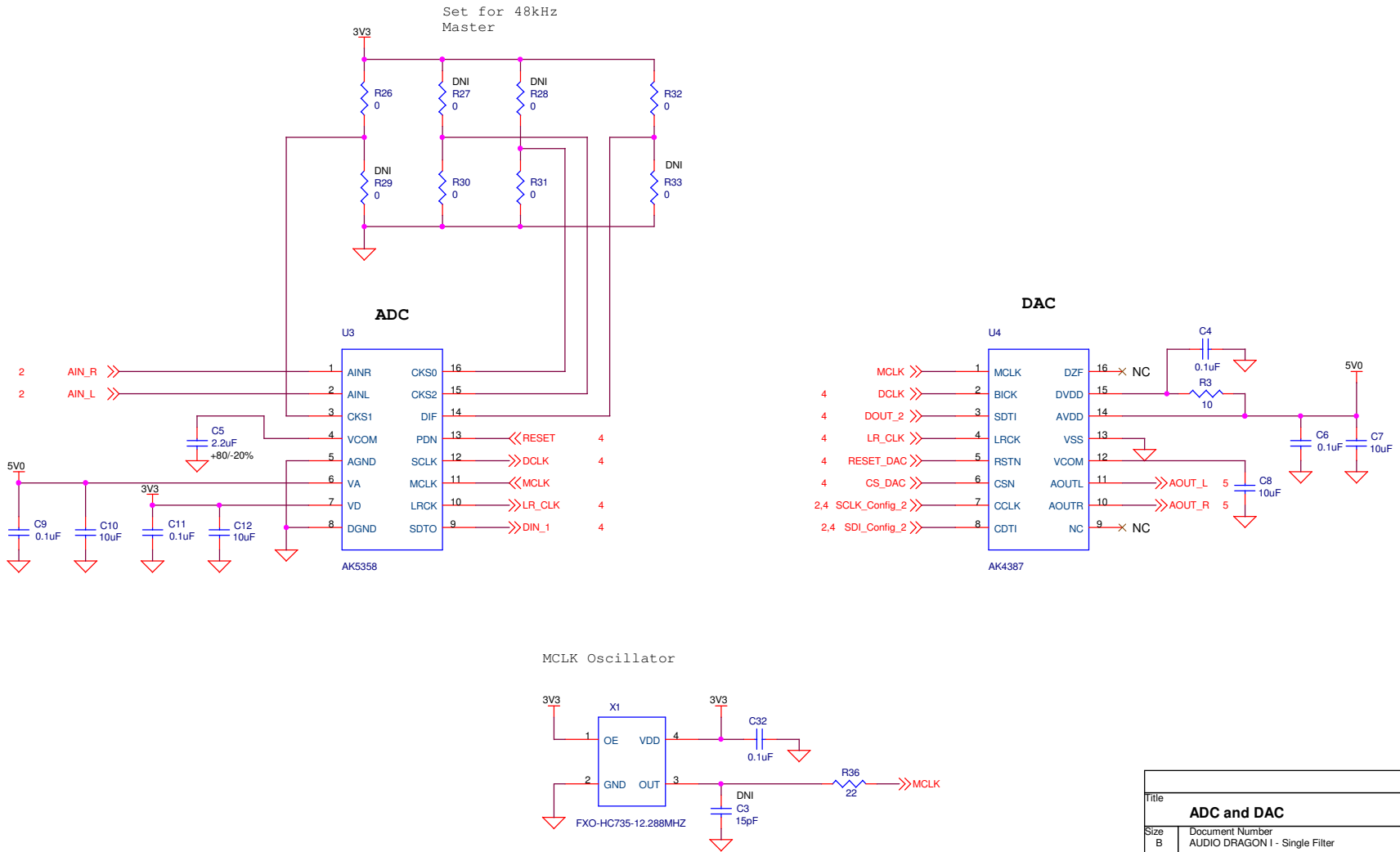
Title		
<b>Board Interfaces</b>		
Size B	Document Number AUDIO DRAGON I - Single Filter	Rev 2.0
Date: Thursday, January 21, 2010 Sheet 2 of 6		

# AUDIO DRAGON I - Single Filter

AK5358 AK4387

Designed for Stand Alone Mode only

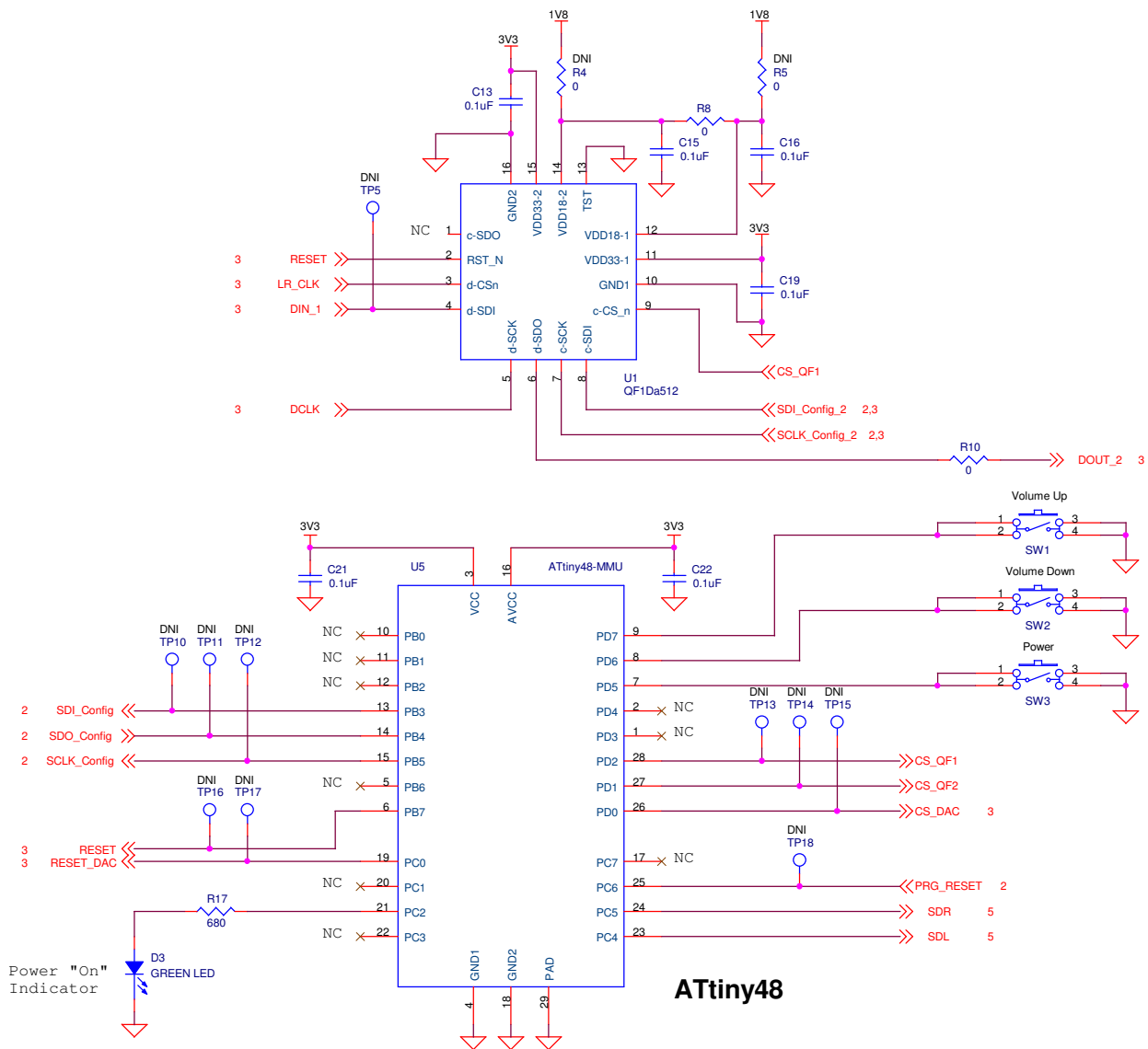
Set for 48kHz  
Master



Title		
ADC and DAC		
Size B	Document Number AUDIO DRAGON I - Single Filter	Rev 2.0
Date:	Thursday, January 21, 2010	Sheet 3 of 6

# AUDIO DRAGON I - Single Filter

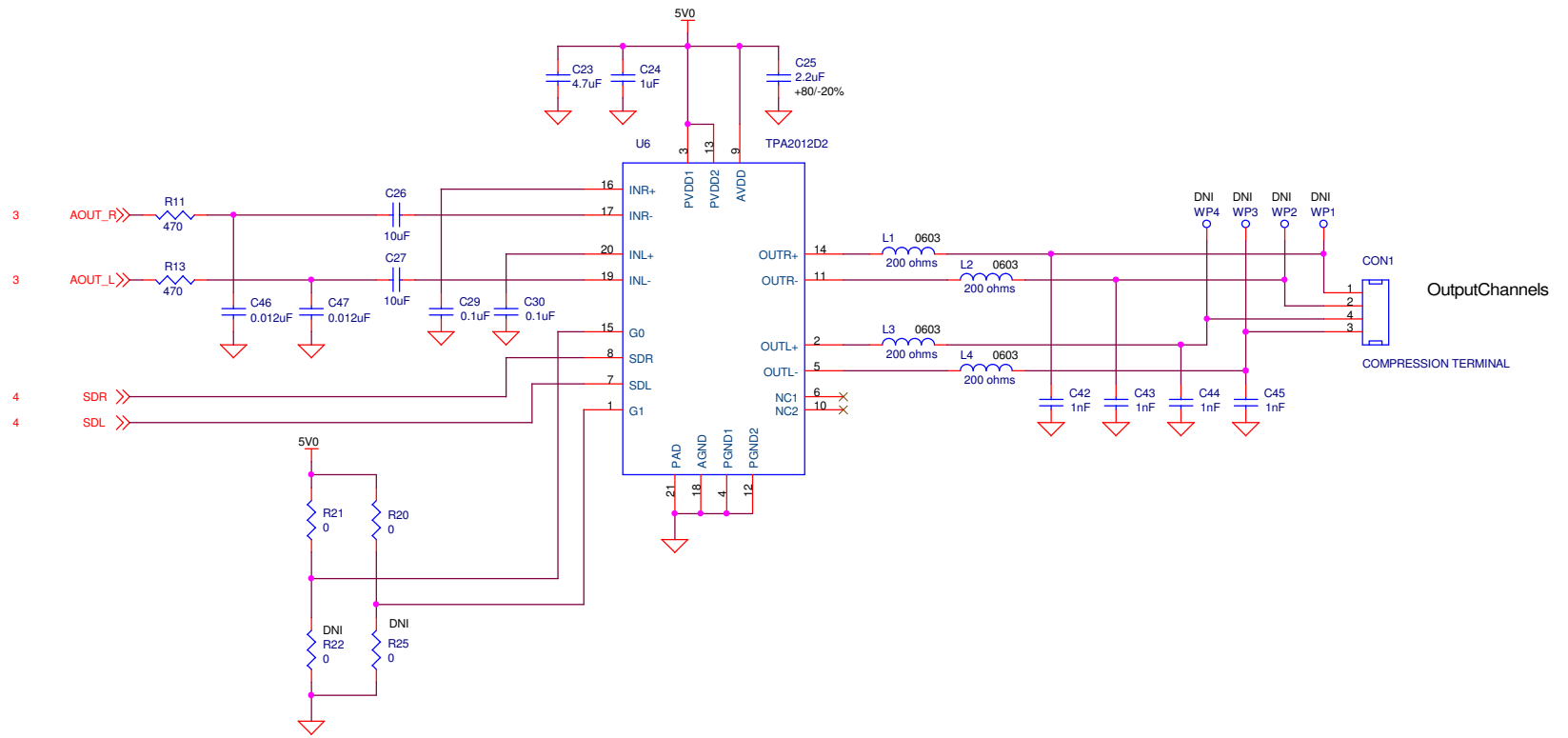
## QF1D512/QF1Da512 Filter



Title		
<b>QF1Da512 &amp; ATTINY48</b>		
Size	Document Number	Rev
B	AUDIO DRAGON I - Single Filter	2.0
Date:	Thursday, January 21, 2010	Sheet 4 of 6

# AUDIO DRAGON I - Single Filter

## Audio Amplifier

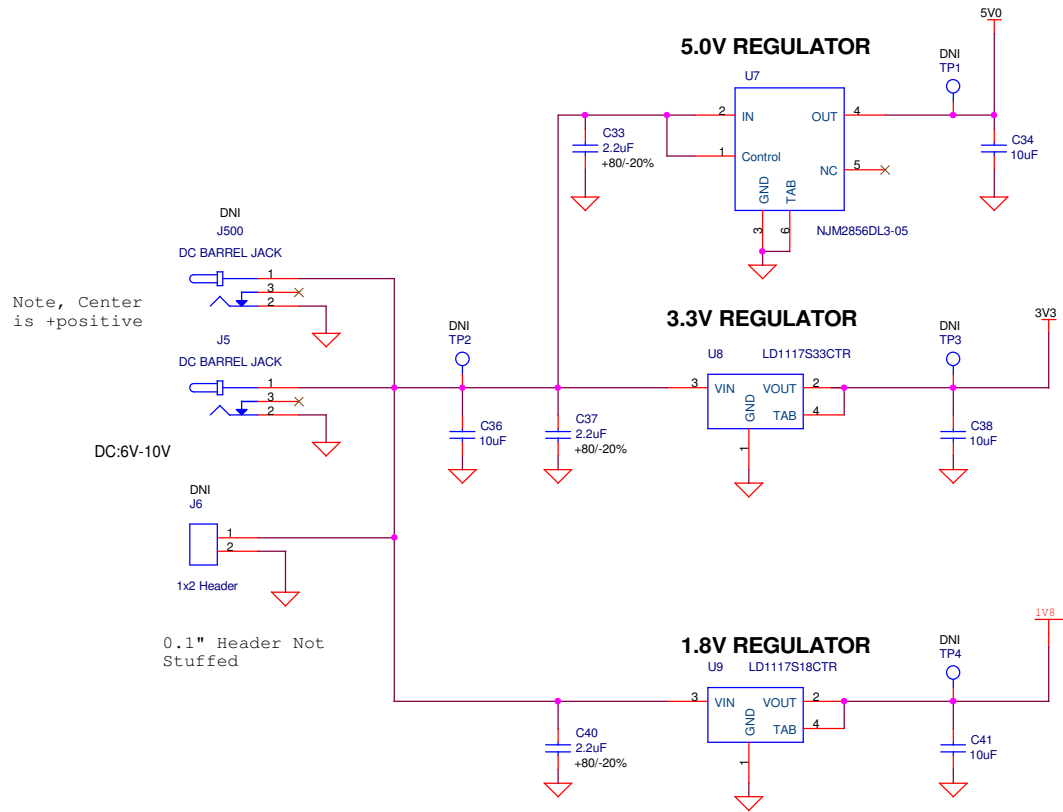


Title		
<b>Audio Amplifier</b>		
Size B	Document Number AUDIO DRAGON I - Single Filter	Rev 2.0
Date:	Thursday, January 21, 2010	Sheet 5 of 6

# AUDIO DRAGON I - Single Filter

## Power / Oscillator / Reset

Designed for Stand Alone Mode only



Title		
Power - Audio Mojo		
Size B	Document Number AUDIO DRAGON I - Single Filter	Rev 2.0
Date:	Thursday, January 21, 2010	Sheet 6 of 6