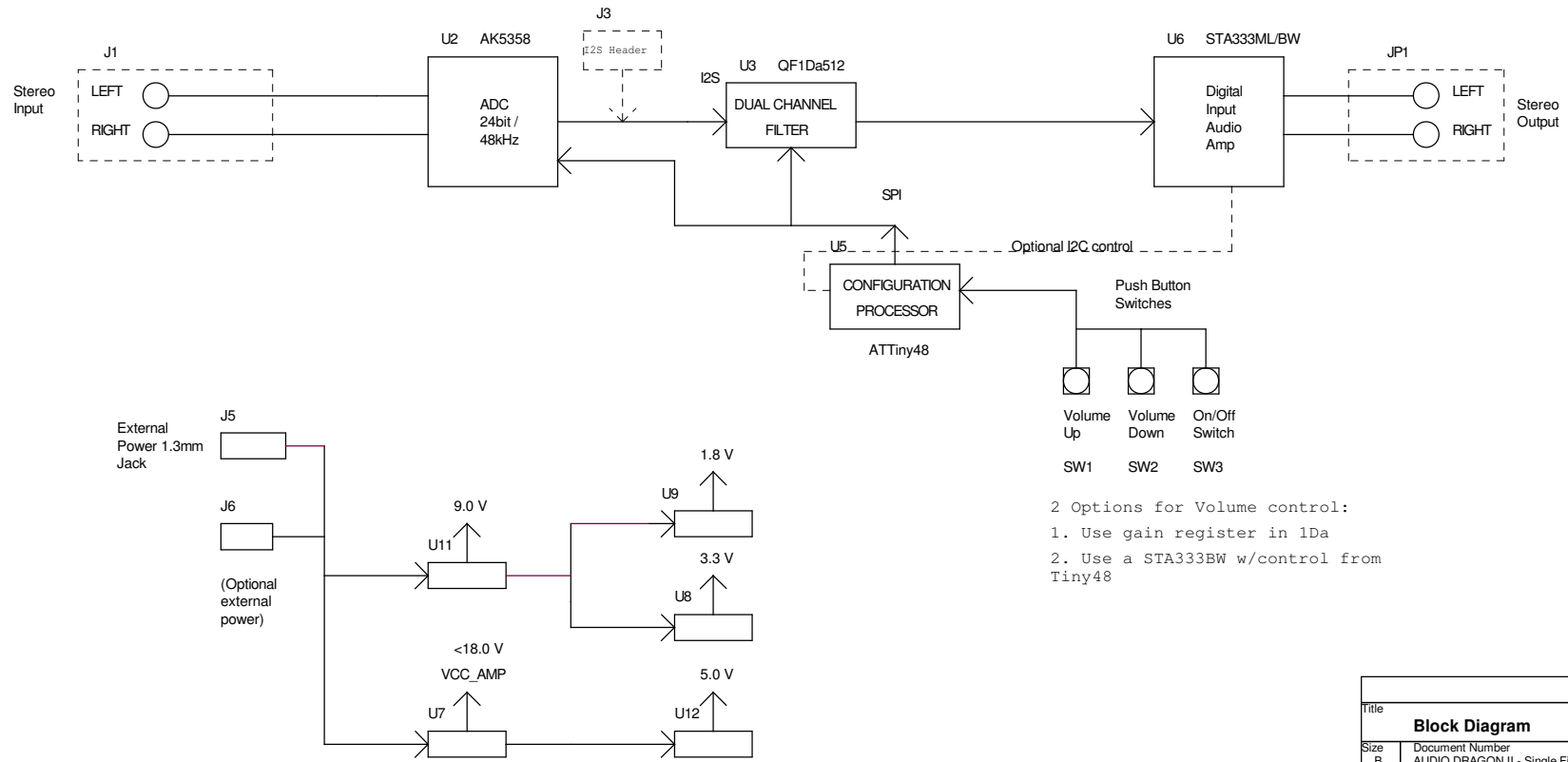


AUDIO DRAGON II - Single Filter Block Diagram



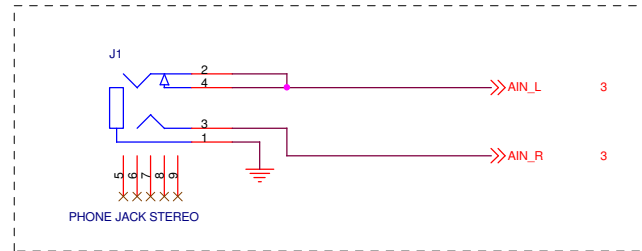
2 Options for Volume control:
 1. Use gain register in 1Da
 2. Use a STA333BW w/control from Tiny48

Title		
Block Diagram		
Size B	Document Number AUDIO DRAGON II - Single Filter	Rev 2.0
Date:	Thursday, January 21, 2010	Sheet 1 of 6

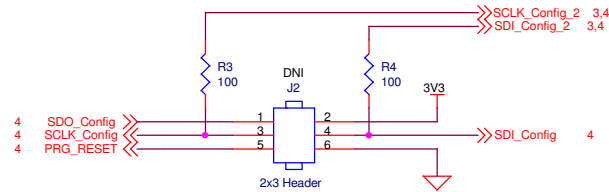
AUDIO DRAGON II - Single Filter

Board Interfaces

Analog Input



ATTiny Programming Header



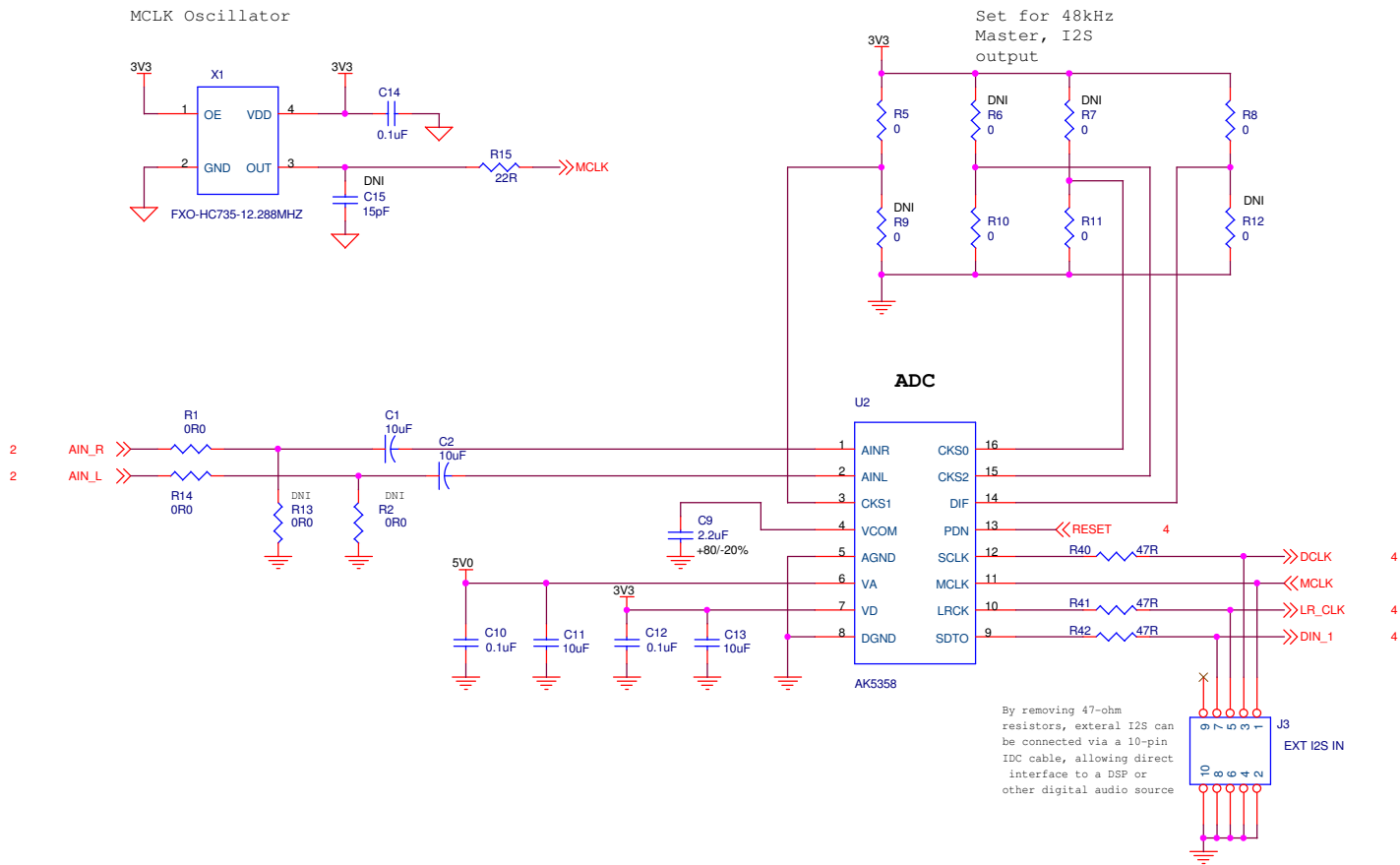
Note not necessary for pre-programmed microcontrollers. Header can be touch pads on bed of nails saving connector cost

Title		
Board Interfaces		
Size B	Document Number AUDIO DRAGON II - Single Filter	Rev 2.0
Date:	Thursday, January 21, 2010	Sheet 2 of 6

AUDIO DRAGON II - Single Filter

AK5358

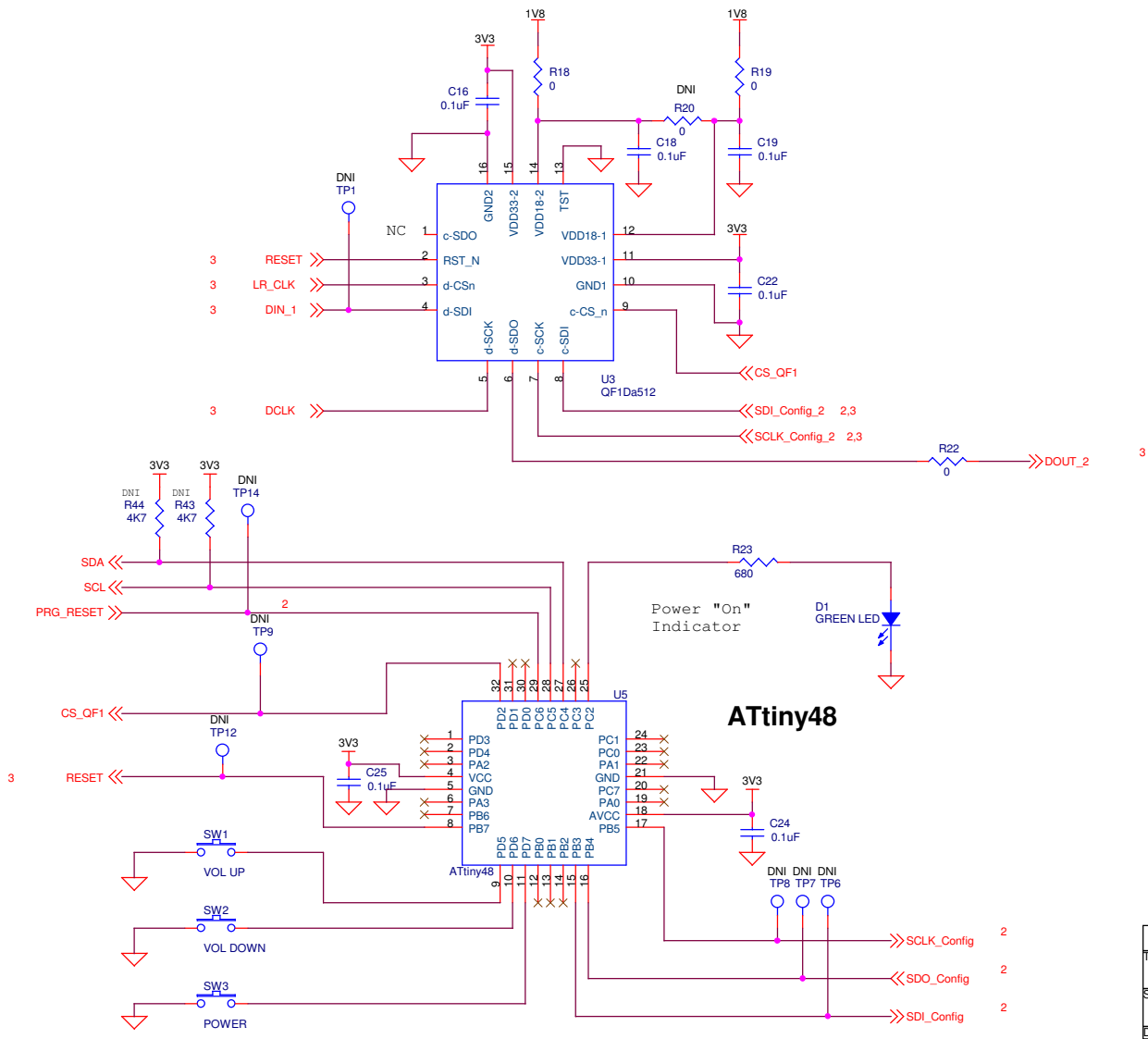
Designed for Stand Alone Mode only



Title		
ADC		
Size B	Document Number AUDIO DRAGON II - Single Filter	Rev 2.0
Date:	Thursday, January 21, 2010	Sheet 3 of 6

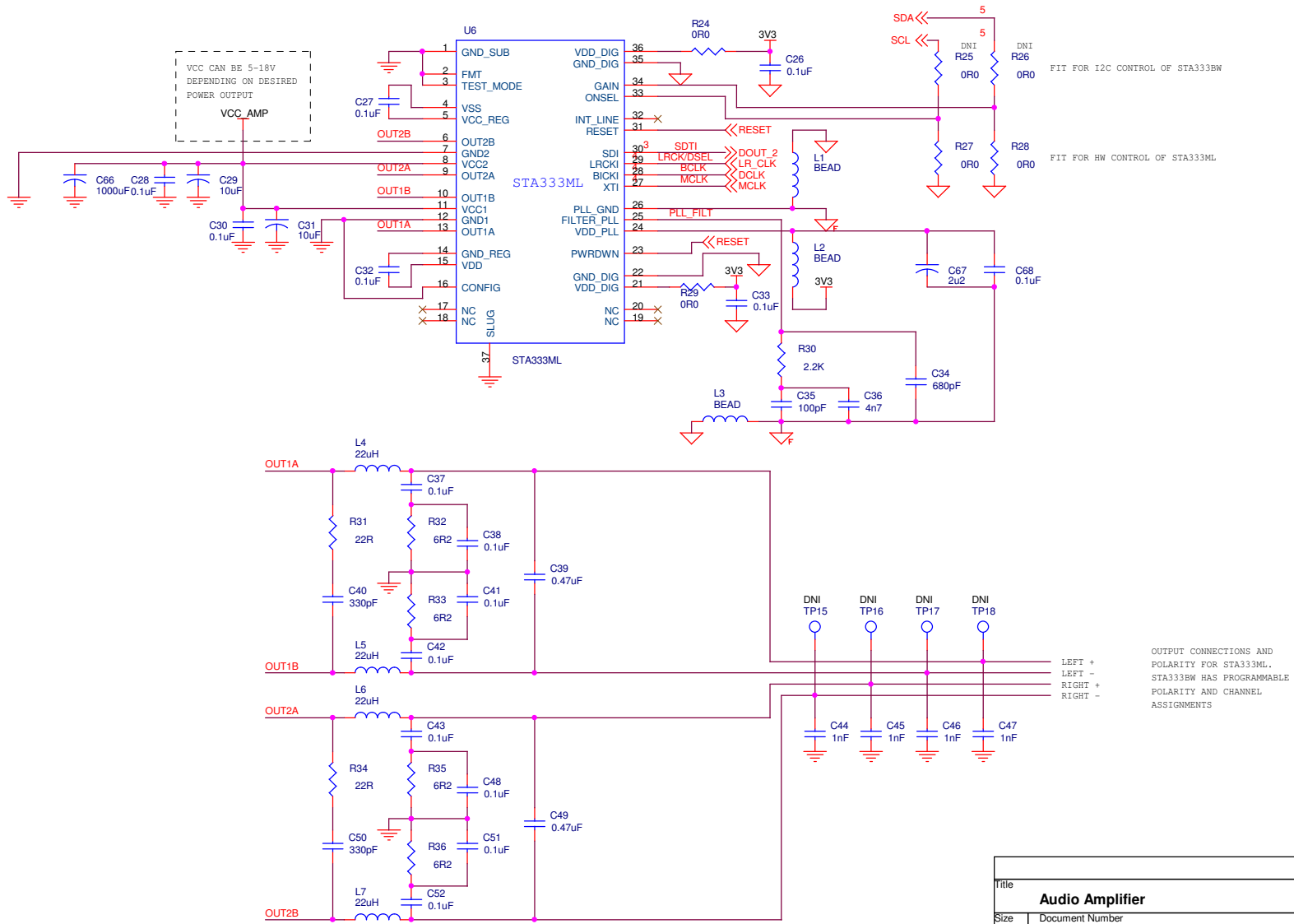
AUDIO DRAGON II - Single Filter

QF1D512/QF1Da512 Filters



Title		
QF1Da512 & ATTINY48		
Size B	Document Number AUDIO DRAGON II - Single Filter	Rev 2.0
Date:	Thursday, January 21, 2010	Sheet 4 of 6

AUDIO DRAGON II - Single Filter



FIT FOR I2C CONTROL OF STA333BW

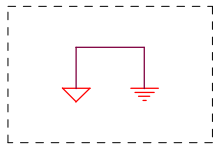
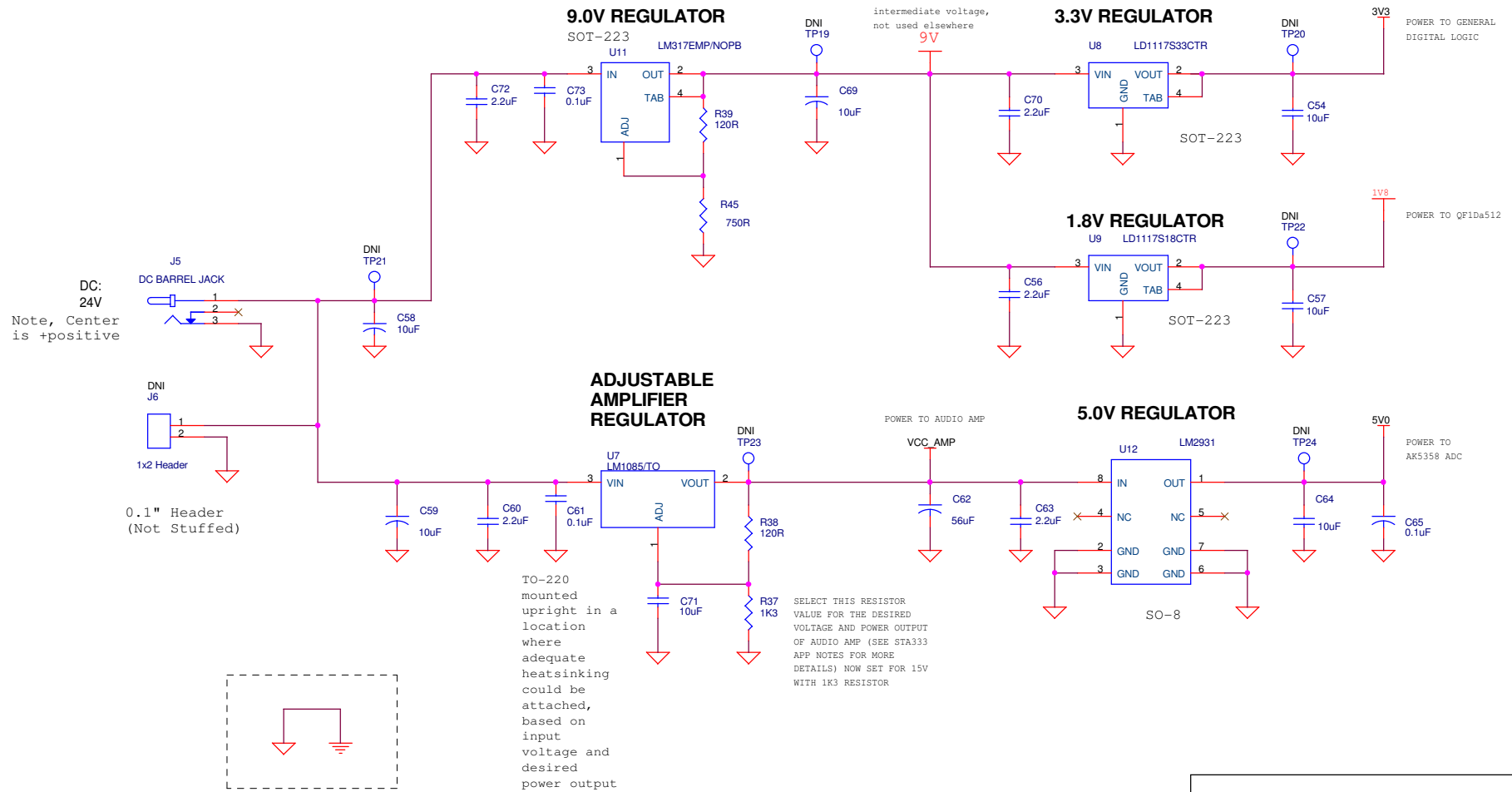
FIT FOR HW CONTROL OF STA333ML

OUTPUT CONNECTIONS AND POLARITY FOR STA333ML. STA333BW HAS PROGRAMMABLE POLARITY AND CHANNEL ASSIGNMENTS

Title		
Audio Amplifier		
Size B	Document Number AUDIO DRAGON II - Single Filter	Rev 2.0
Date:	Thursday, January 21, 2010	Sheet 5 of 6

AUDIO DRAGON II - Single Filter

Power Supply



ANALOG-DIGITAL PLANE IS A UNIFIED CONNECTION IN THIS DESIGN, BUT COULD BE SEPARATE

Title		
Power Supply		
Size B	Document Number AUDIO DRAGON II - Single Filter	Rev 2.0
Date:	Thursday, January 21, 2010	Sheet 6 of 6