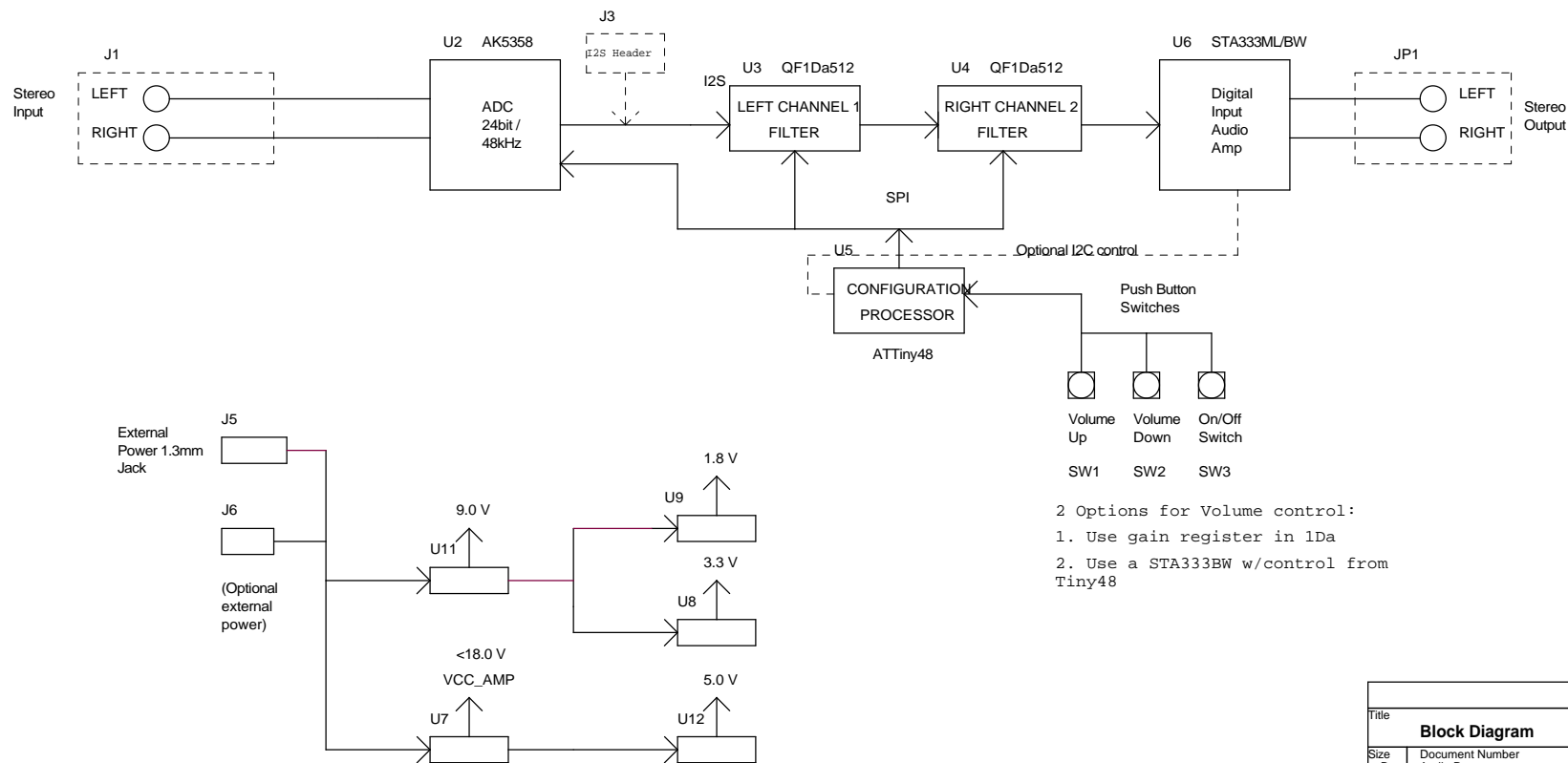


AUDIO DRAGON Block Diagram



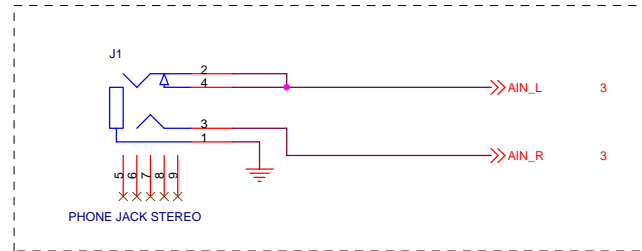
2 Options for Volume control:
 1. Use gain register in 1Da
 2. Use a STA333BW w/control from Tiny48

Title		
Block Diagram		
Size B	Document Number Audio Dragon	Rev 1.1
Date:	Friday, February 13, 2009	Sheet 1 of 6

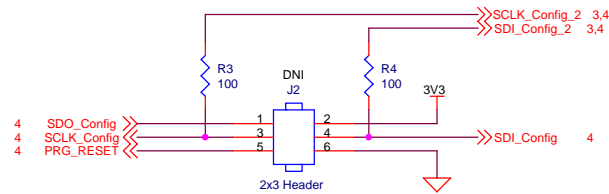
AUDIO DRAGON

Board Interfaces

Analog Input



ATTiny Programming Header



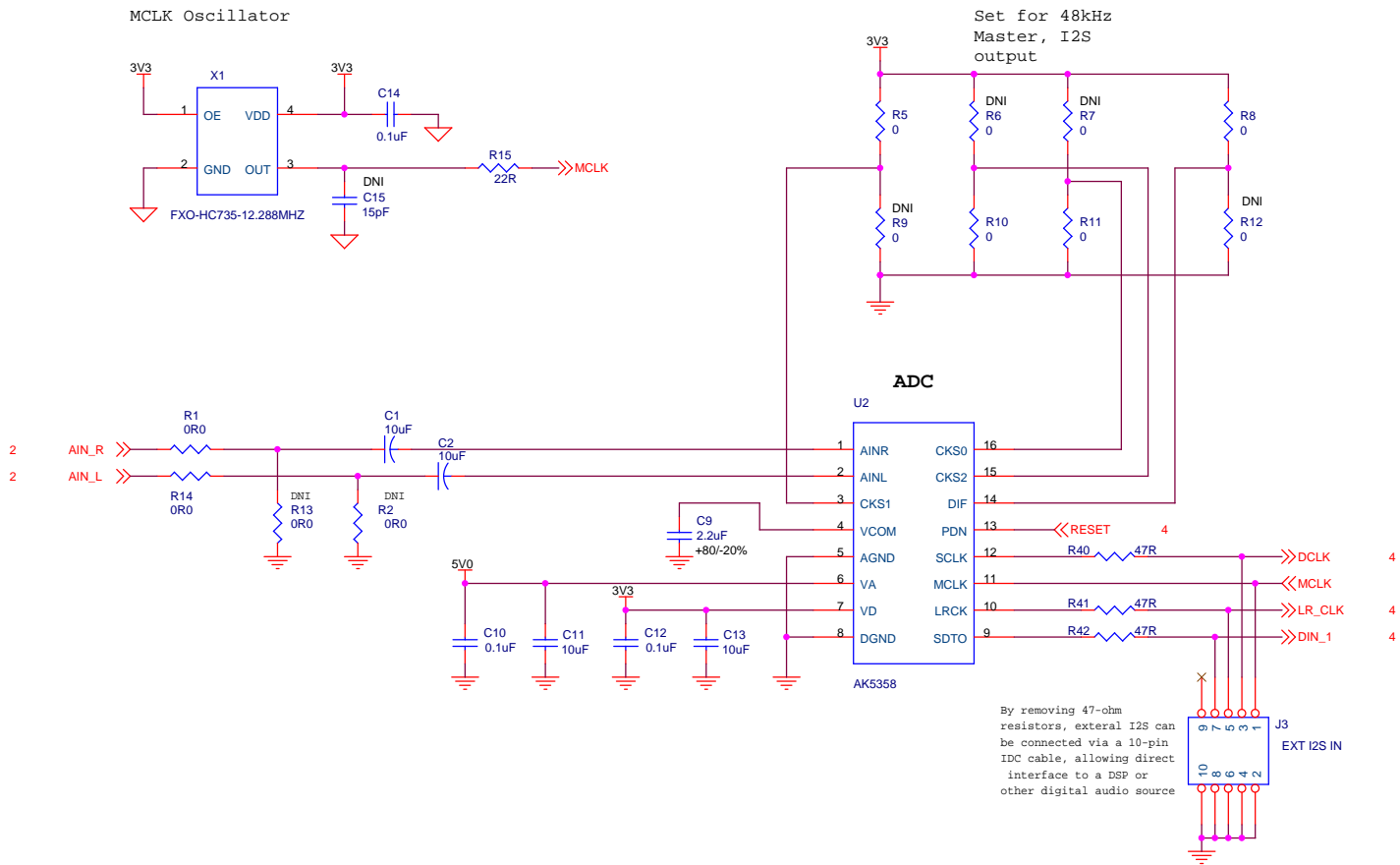
Note not necessary for pre-programmed microcontrollers. Header can be touch pads on bed of nails saving connector cost

Title		
Board Interfaces		
Size	Document Number	Rev
B	Audio Dragon	1.1
Date:	Friday, February 13, 2009	Sheet 2 of 6

AUDIO DRAGON

AK5358

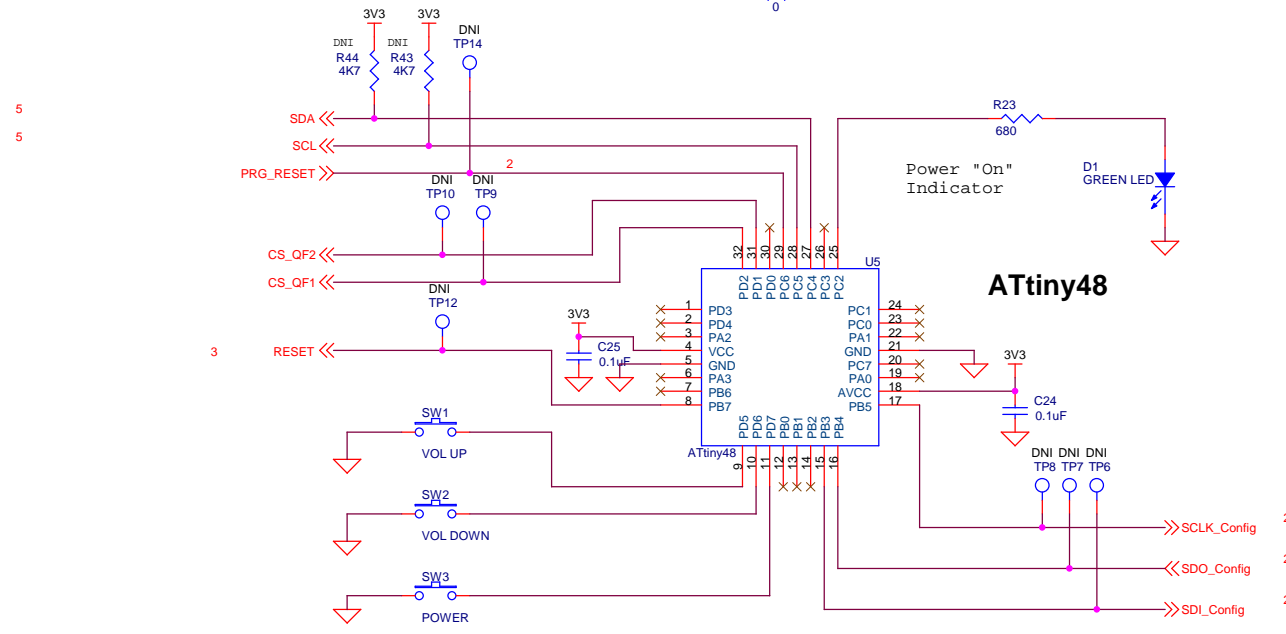
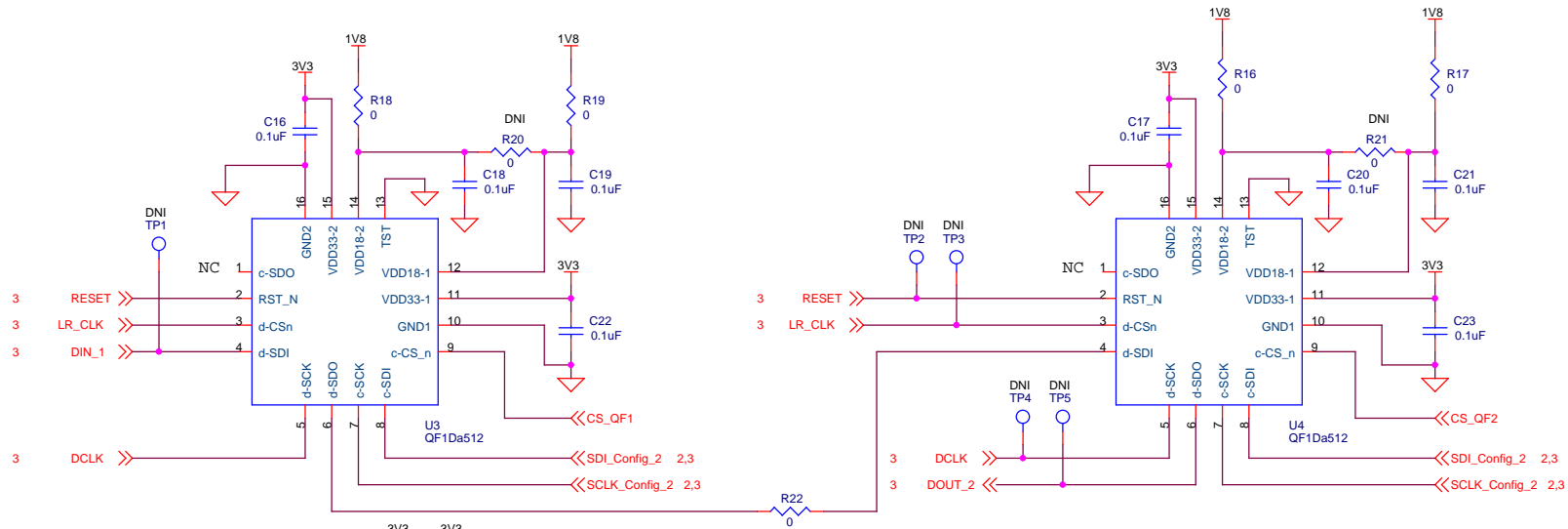
Designed for Stand Alone Mode only



Title		
ADC		
Size B	Document Number Audio Dragon	Rev 1.1
Date:	Wednesday, March 04, 2009	Sheet 3 of 6

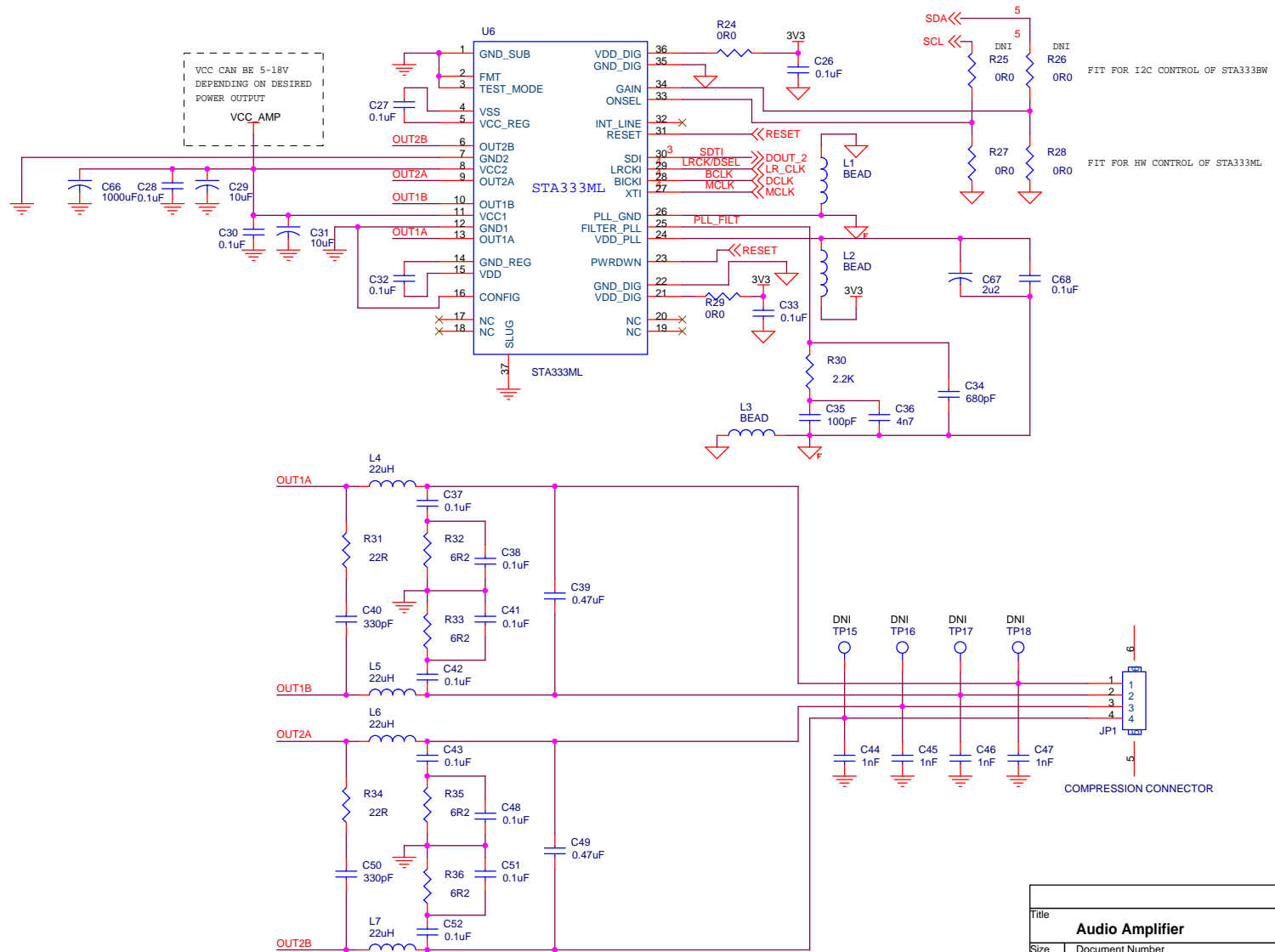
AUDIO DRAGON

QF1D512/QF1Da512 Filters



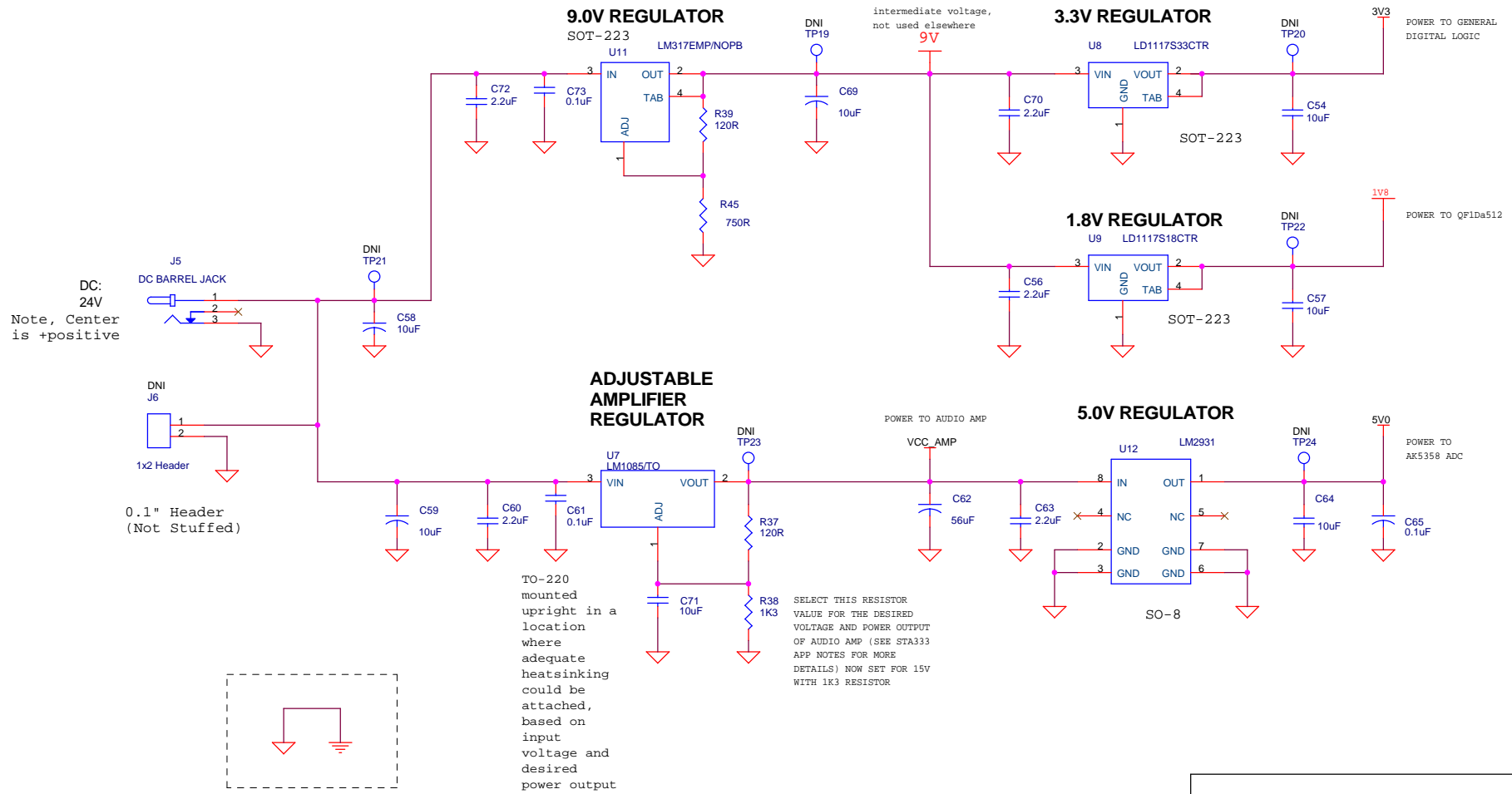
Title		
QF1Da512 & ATTINY48		
Size	Document Number	Rev
B	Audio Dragon	1.1
Date:	Friday, February 13, 2009	Sheet 4 of 6

AUDIO DRAGON



Title		
Audio Amplifier		
Size B	Document Number Audio Dragon	Rev 1.1
Date: Wednesday, March 04, 2009	Sheet 5 of 6	

AUDIO DRAGON Power Supply



Title Power Supply		
Size B	Document Number Audio Dragon	Rev 1.1
Date: Wednesday, March 04, 2009	Sheet 6	of 6