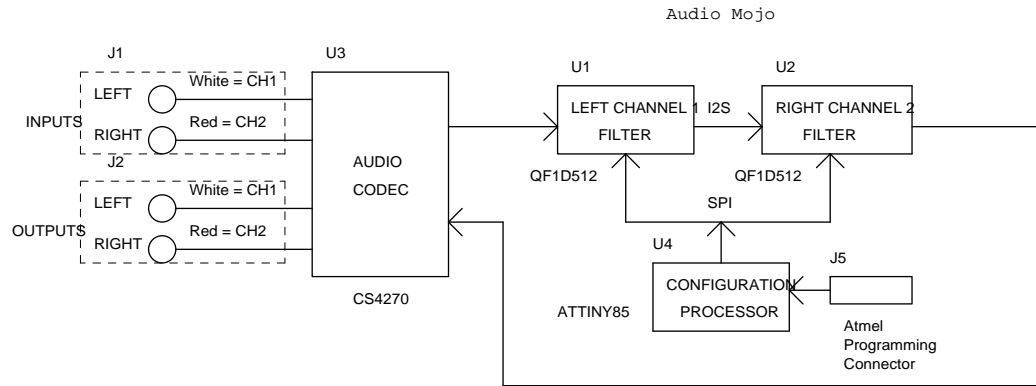


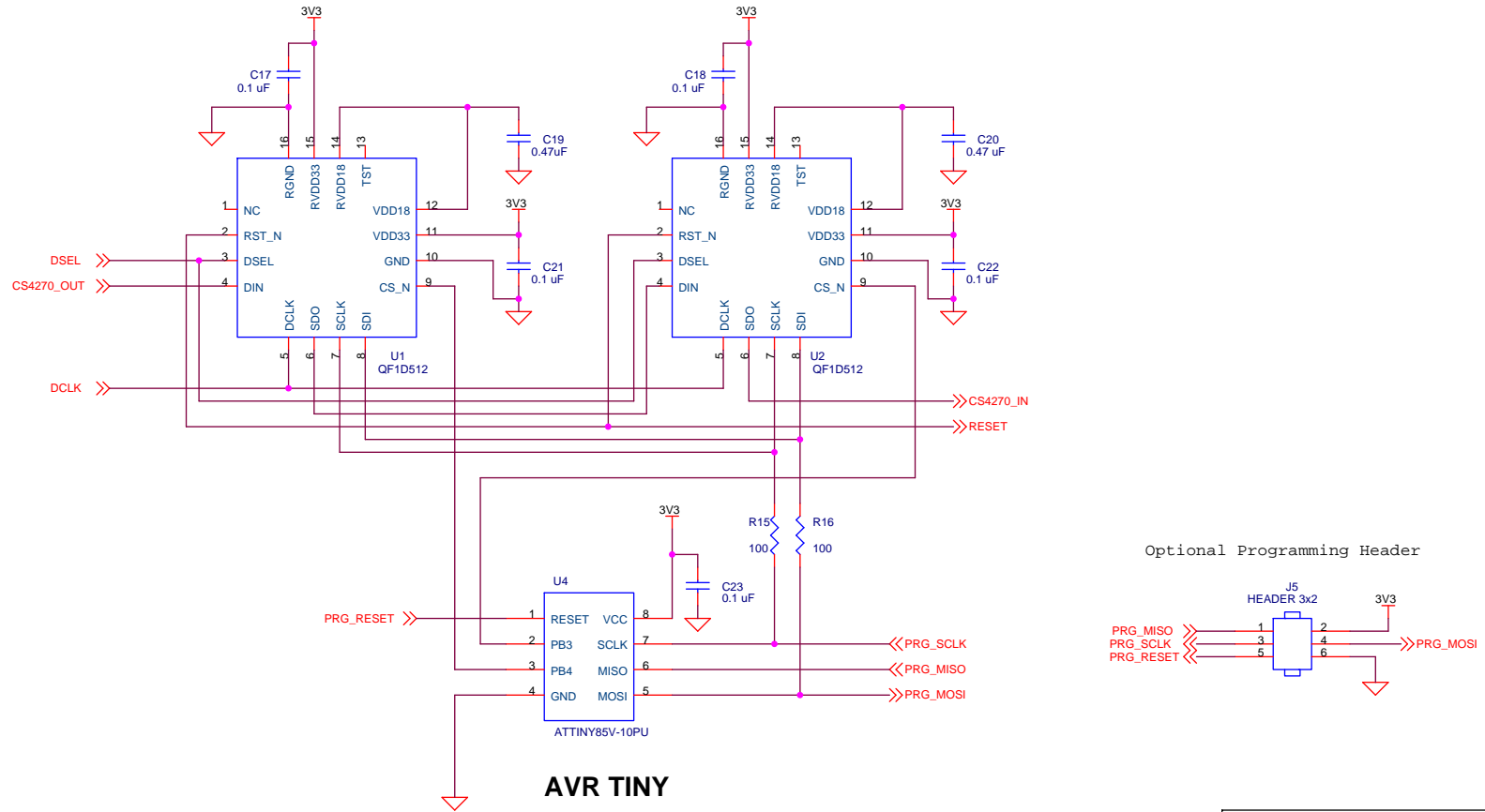
Audio Mojo Board

Block Diagram



Title		
Block Diagram		
Size	Document Number	Rev
B	Audio Mojo	A
Date: Monday, August 11, 2008		
Sheet		1 of 3

SavFIRe QF1D512 Filters and Loader

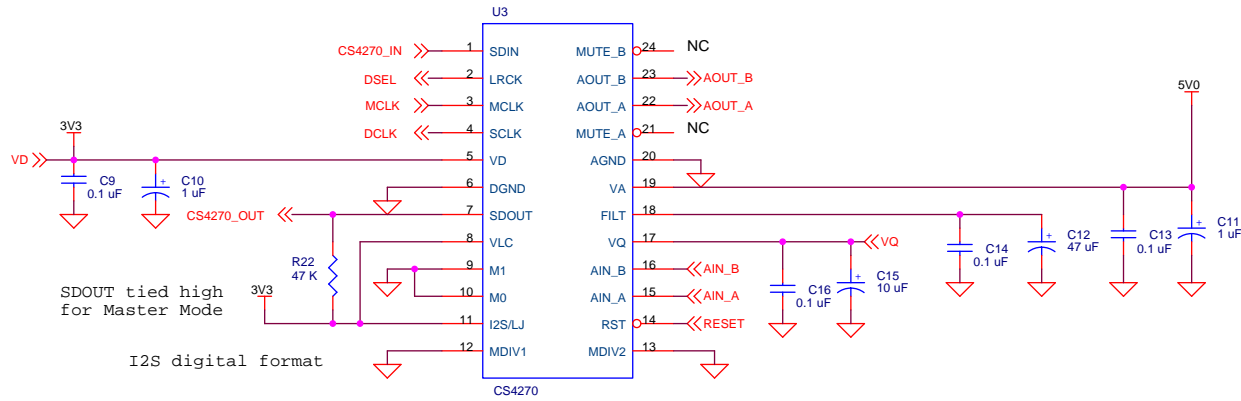


Title		
QF1D512 & ATTINY85		
Size	Document Number	Rev
B	Audio Mojo	A
Date:	Monday, August 11, 2008	Sheet 2 of 3

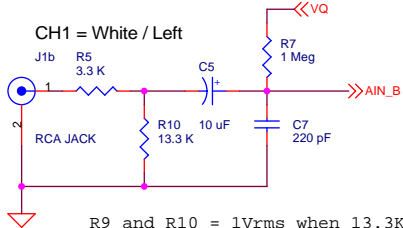
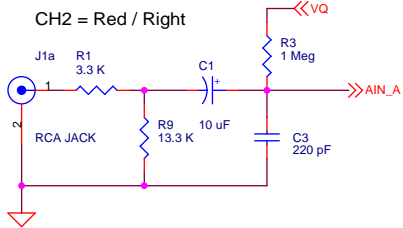
Audio Mojo

Cirrus CS4270 CoDec

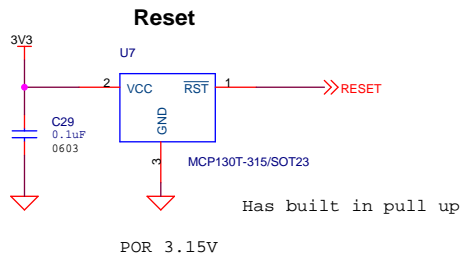
Designed for Stand Alone Mode



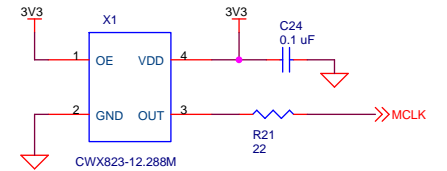
Set to 48 kHz sampling rate. See Cirrus Logic data sheet for other sampling rate options



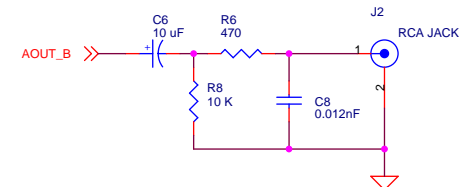
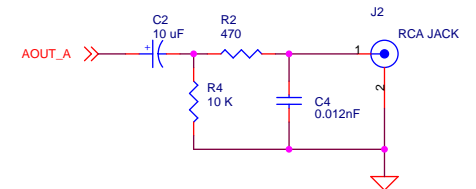
R9 and R10 = 1Vrms when 13.3K.
If 2.2K then 2Vrms input.



Oscillator for CS4270



OutputChannels



Title		
Audio Mojo Reference Design		
Size B	Document Number Audio Mojo	Rev A
Date:	Monday, August 11, 2008	Sheet 3 of 3



Title		
Board Interfaces		
Size	Document Number	Rev
B	Audio Mojo	2.1
Date:	Monday, August 11, 2008	Sheet 4 of 5



Title		
Power - Audio Mojo		
Size	Document Number	Rev
B	Audio Mojo	2.1
Date:	Monday, August 11, 2008	Sheet 1 of 5